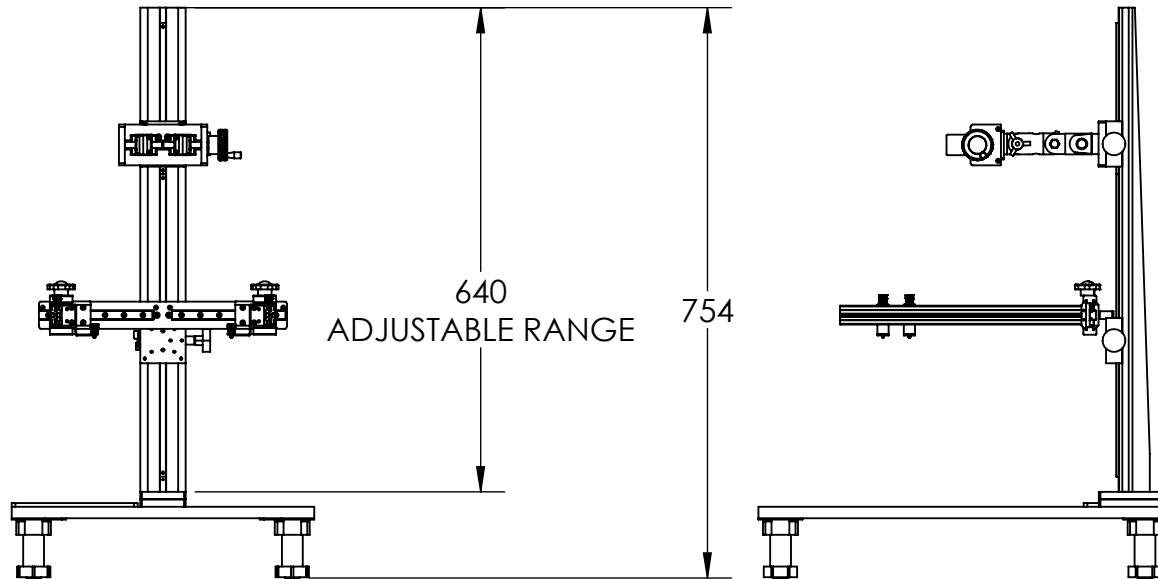
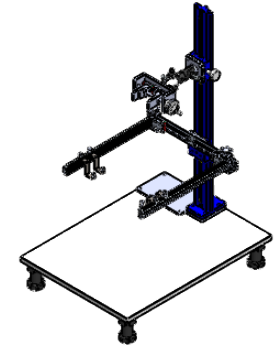
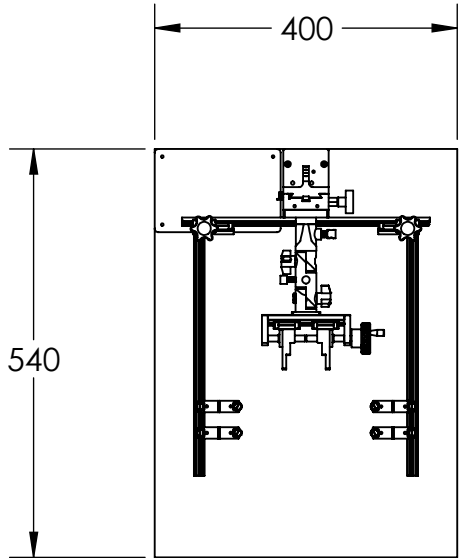


1 2 3 4 5 6 7 8

REVISIONS			
REV.	DESCRIPTIONS	EDIT BY	DATE:(d/m/y)



DESIGN BY	DANIEL	UNIT: MM
CHECK BY	KB TAN	⊕ ⊖ SIZE A4
DATE	5/5/2026	REVISION:
MATERIAL	-	01
FINISHING	-	SCALE:
QTY	-	1 : 10

PRODUCT SERIES: PTS4 SERIES



TITLE	DRAWING LAYOUT	GEN. TOLERANCES
PART NO	PTS4-STARTER-V1	
DWG NO	-	X ±0.15
		X.X ±0.1
		X.XX ±0.05
		SHEET 1 OF 1

1 2 3 4 5 6 7 8

D

D

C

C

B

B

A

A