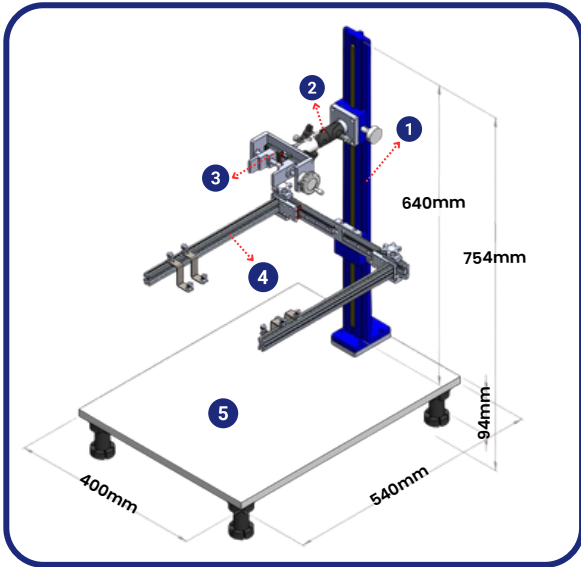


# PTS4-STARTER-V1

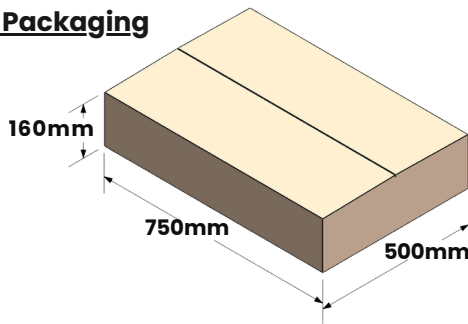
(Lab Testing Station)



## Item List

- 1 **Rack and Pinion** (Length - 640mm)  
(P/N: VR-2S-60X640-V1)
- 2 **Camera Angle Mount**  
(P/N: TME-CMR-01)
- 3 **Universal Camera Mounting**  
(P/N: PTS-UCM-V3)
- 4 **Lighting Bracket**  
(P/N: CM-328 Slider Combine Bracket)
- 5 **White Base Plate**  
(400mm x 540mm x 94mm)

## Final Packaging



The final packaging dimensions are estimated only.

The dimensions and weight stated below are based on the testing station only and exclude the packaging box.

## Dimension

400mm X 540mm X 754mm

## Weight

6.95kg

## Optional



### Analog Controller (P/N: SD-1000-D1-PS2.5A-XX)

The following packaging image is for illustration purposes only.



### XY Table (P/N: XY-TABLE)

The following packaging image is for illustration purposes only.

## Features

- Universal camera mounting
- Adjustable camera and lighting height
- Adjustable and rotatable camera angle
- Compatible with multiple lighting options
- Stable and durable base plate

## Advantages

- Supports different camera types
- Allows flexible positioning
- Enables multiple viewing directions
- Compatible with various lighting setups
- Stable base reduces vibration during operation

## Benefits

- Easy integration
- Better image quality
- Flexible setup
- Wide application use
- Stable and reliable performance