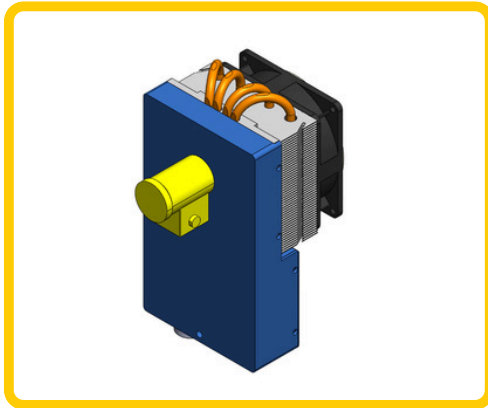




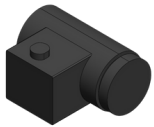
Scan or Click the QR code for more information



Specifications

| | |
|----------------------------|----------------------------|
| Model | Micro LED |
| Voltage | 4.2V |
| Current | 40A |
| Weight | 1200g |
| Pixel Pitch | 40μm |
| Number of Pixels | 320 x 80 |
| Light Emitting Area | 12.8 x 3.2 mm ² |
| Luminous Flux | 85 MNits |
| Type of lens mount | C-Mount |

Optional

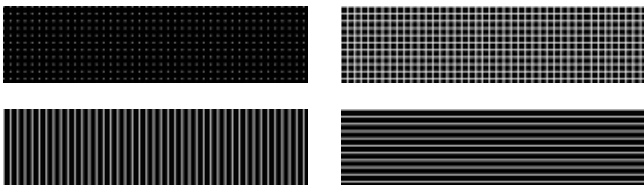


Liquid Lens

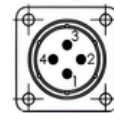


Scan or Click the QR code for more information

Sample pattern images

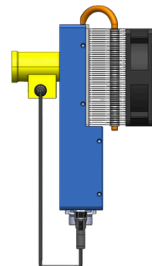
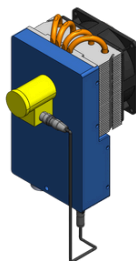


Connector Pinout



| | |
|-------|------------|
| PIN 1 | 4.2V POWER |
| PIN 2 | - |
| PIN 3 | GND |
| PIN 4 | - |

Overview



Features

- Individual LEDs
- High Brightness
- Color Accuracy
- High Contrast Ratios
- Long Lifespan
- Dedicated connectors for direct connection to the liquid lens

Advantages

- Enhanced Image Quality
- Durability
- Minimizes cabling requirements

Benefits

- Enhanced Image Quality
- Improved Detection & Analysis
- Energy Efficiency & Longevity
- Enhanced System Reliability
- Better Performance in Diverse Conditions
- Cost Efficiency