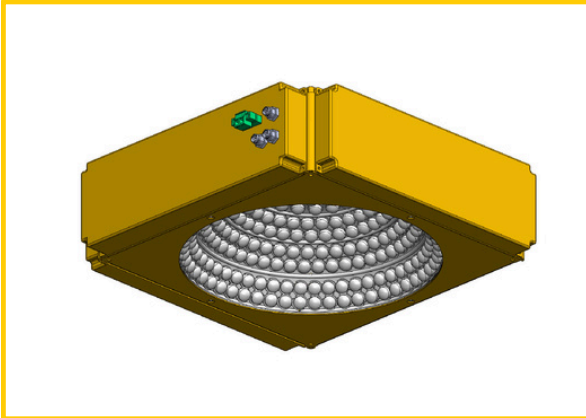




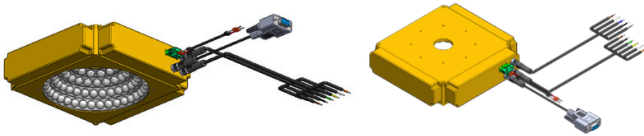
Scan or Click the QR code for more information



Specifications

Type	Digital Controller
Series	Driver Series
Dimension	
Communication Type	RS232
Controller Supply Voltage	24VDC
Output Current	1A / Channel
Lighting (Input & Output Voltage)	Based on controller supply voltage
Digital Input	2
Digital Output	3
No. of channel	16 Channels
Mode	Constant & Strobe
Strobe Width	0 - 9,999ms (1ms / step)
Trigger Delay	≈ 1ms

Application



Connector Pinout



COMMUNICATION HIROSE 4PIN

BROWN	PIN 1	RXD
WHITE	PIN 2	TXD
BLUE	PIN 3	GND
BLACK	PIN 4	N/A



EXTERNAL IO HIROSE 6PIN

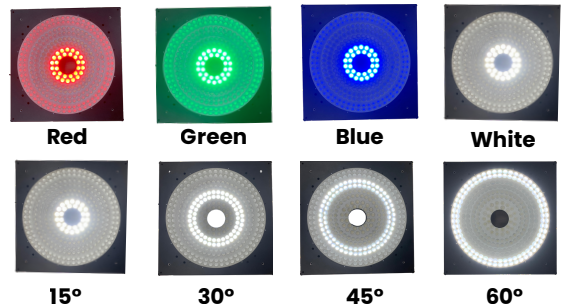
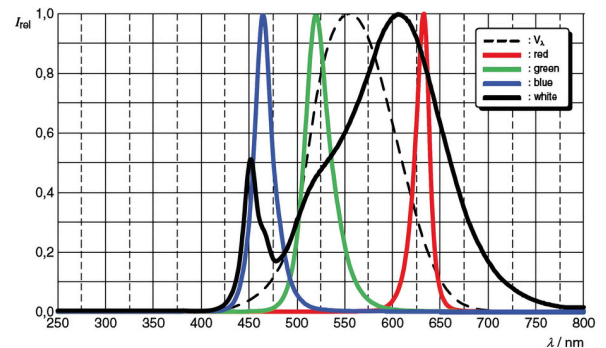
BROWN	PIN 1	IN1+
BLACK	PIN 2	IN1-
GREEN	PIN 3	OUT1+
YELLOW	PIN 4	OUT1-
WHITE	PIN 5	OUT2+
ORANGE	PIN 6	OUT2-



CAMERA HIROSE 5PIN

BROWN	PIN 1	REF_V+
WHITE	PIN 2	OPTO_OUT
BLUE	PIN 3	OPTO_IN
BLACK	PIN 4	REF_GND
GRAY	PIN 5	GND

LED Wavelength



Features

- Circular light with 4 angles:
15°, 30°, 45°, 60°
- RGBW colors
- Built-in driver

Advantages

- 4 colors at 4 angles in one light
- For angle measurement, color verification, and reflective surface inspection
- Minimizes cabling requirements

Benefits

- Saves time and reduces costs
- Increase efficiency
- Offers flexible usage
- Compact design for a streamlined, tidy installation