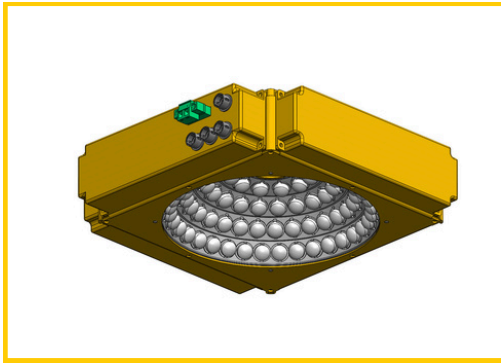




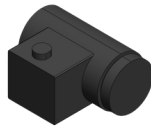
Scan or Click the QR code for more information



Optional



Custom Camera

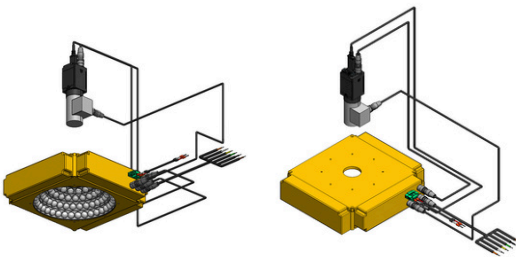


Liquid Lens



Scan or Click the QR code for liquid lens information

Application



Connector Pinout

COMMUNICATION HIROSE 4PIN



BROWN	PIN 1	RXD
WHITE	PIN 2	TXD
BLUE	PIN 3	GND
BLACK	PIN 4	N/A

EXTERNAL IO HIROSE 6PIN



BROWN	PIN 1	IN1+
BLACK	PIN 2	IN1-
GREEN	PIN 3	OUT1+
YELLOW	PIN 4	OUT1-
WHITE	PIN 5	OUT2+
ORANGE	PIN 6	OUT2-

CAMERA HIROSE 5PIN



BROWN	PIN 1	REF V+
WHITE	PIN 2	OPTO_OUT
BLUE	PIN 3	OPTO_IN
BLACK	PIN 4	REF_GND
GRAY	PIN 5	GND

LIQUID LENS HIROSE 7PIN

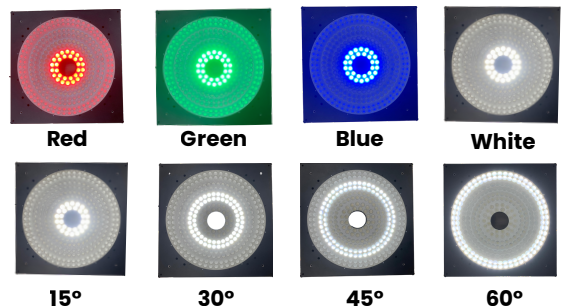
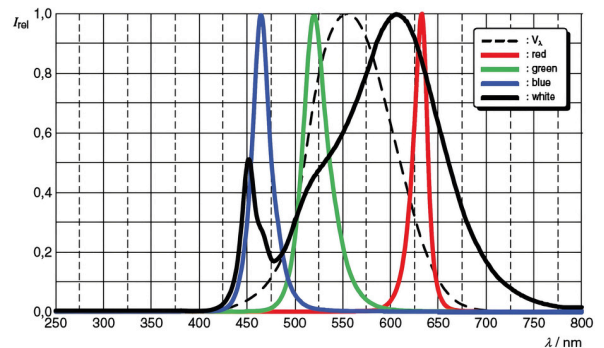


RED	PIN 1	5V
BLACK	PIN 2	RX
GREEN	PIN 3	TX
YELLOW	PIN 4	GND
WHITE	PIN 5	GND
ORANGE	PIN 6	N/A
BLUE	PIN 7	N/A

Specifications

Type	Digital Controller
Series	Driver Series
Dimension	
Communication Type	RS232
Controller Supply Voltage	12VDC
Output Current	1A / Channel
Lighting (Input & Output Voltage)	Based on controller supply voltage
Digital Input	1
Digital Output	2
No. of channel	16 Channels
Mode	Constant & Strobe
Strobe Width	0 - 9,999ms (1ms / step)
Trigger Delay	≈ 1ms

LED Wavelength



Features

- Circular light with 4 angles: **15°, 30°, 45°, 60°**
- RGBW colors
- Built-in driver
- Direct connection to camera and liquid lens

Advantages

- 4 colors at 4 angles in one light
- For angle measurement, color verification, and reflective surface inspection
- Minimizes cabling requirements

Benefits

- Saves time and reduces costs
- Increase efficiency
- Offers flexible usage
- Compact design for a streamlined, tidy installation