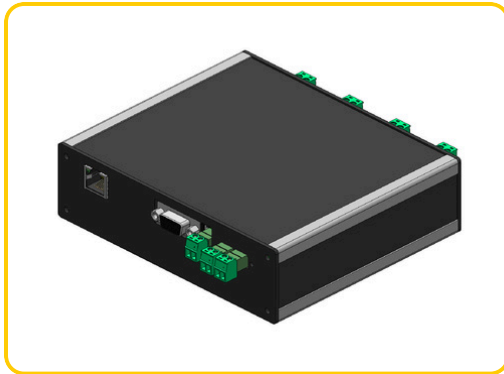




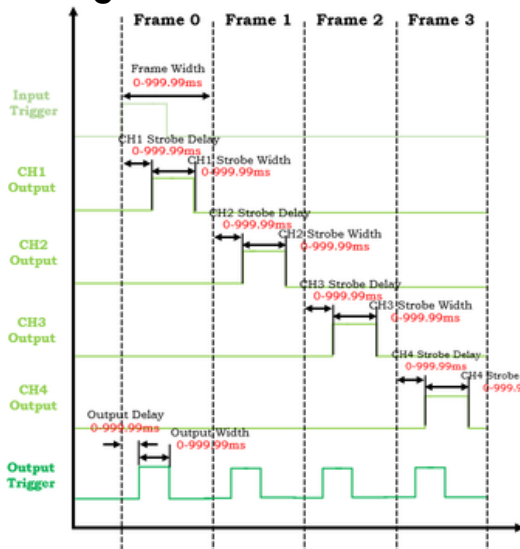
Scan or Click the QR code for more information



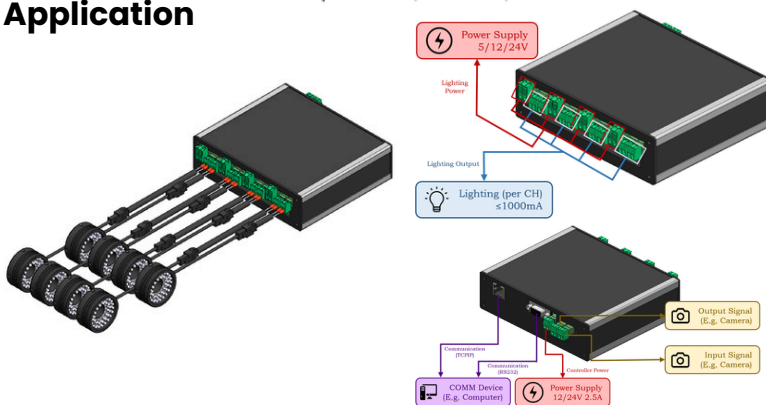
## Specifications

<b>Type</b>	Digital Controller
<b>Series</b>	LC-21 Series
<b>Dimension</b>	157.46mm x 134mm x 35.29mm
<b>Communication Type</b>	RS232, TCP/IP
<b>Controller Supply Voltage</b>	24VDC
<b>Output Current</b>	Max 2A
<b>Lighting (Input Voltage)</b>	5V / 12V / 24V
<b>Lighting (Output Voltage)</b>	Based on lighting input voltage
<b>Digital Input</b>	1
<b>Digital Output</b>	1
<b>No. of channel</b>	8 Channels
<b>Mode</b>	Constant, Strobe
<b>Strobe Width</b>	0 - 999.99ms (0.01ms / step)
<b>Trigger Delay</b>	≤ 30us

## Timings

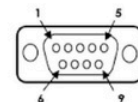


## Application



## Connector Pinout

RS232 COMMUNICATION - DB9 FEMALE CONNECTOR



PIN 1	-
PIN 2	RXD
PIN 3	TXD
PIN 4	-
PIN 5	GND
PIN 6	-
PIN 7	-
PIN 8	-
PIN 9	-

## Features

- Intensity control for LED lighting in machine vision applications
- 8 channels with individual control
- 2 operating modes for different applications

## Advantages

- Programmability
- Able to control multiple lighting
- Software control
- Able to trigger input and output signal
- Support more channels
- Able to use TCP/IP for communication

## Benefits

- Compact and robust design
- Save time and cost
- Easy to use