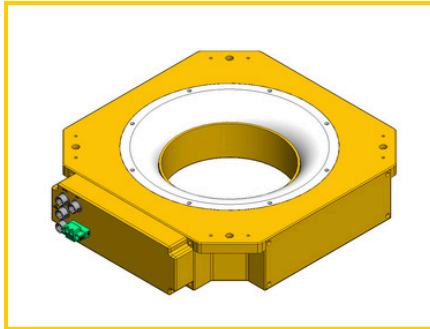




Scan or Click the QR code for more information



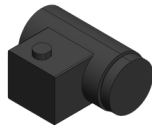
## Specifications

<b>Type</b>	Digital Controller
<b>Series</b>	Driver Series
<b>Dimension</b>	239 x 219 x 48 mm
<b>Communication Type</b>	RS232
<b>Controller Supply Voltage</b>	24VDC
<b>Output Current</b>	1A / Channel
<b>Lighting (Input &amp; Output Voltage)</b>	Based on controller supply voltage
<b>Digital Input</b>	1
<b>Digital Output</b>	2
<b>No. of channel</b>	32 Channels
<b>Mode</b>	Constant & Strobe
<b>Strobe Width</b>	0 - 9,999ms (1ms / step)
<b>Trigger Delay</b>	≈ 1ms

## Optional



**Custom Camera**

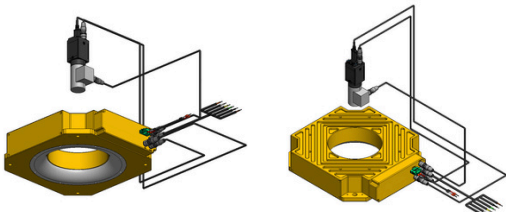


**Liquid Lens**



Scan or Click the QR code for liquid lens information

## Application



## Connector Pinout

### COMMUNICATION HIROSE 4PIN



BROWN	PIN 1	RXD
WHITE	PIN 2	TXD
BLUE	PIN 3	GND
BLACK	PIN 4	N/A

### EXTERNAL IO HIROSE 6PIN



BROWN	PIN 1	IN1+
BLACK	PIN 2	IN1-
GREEN	PIN 3	OUT1+
YELLOW	PIN 4	OUT1-
WHITE	PIN 5	OUT2+
ORANGE	PIN 6	OUT2-

### CAMERA HIROSE 5PIN



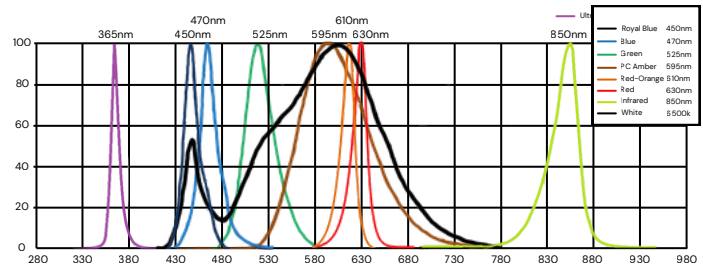
BROWN	PIN 1	REF V+
WHITE	PIN 2	OPTO_OUT
BLUE	PIN 3	OPTO_IN
BLACK	PIN 4	REF_GND
GRAY	PIN 5	GND

### LIQUID LENS HIROSE 7PIN



RED	PIN 1	SV
BLACK	PIN 2	RX
GREEN	PIN 3	TX
YELLOW	PIN 4	GND
WHITE	PIN 5	GND
ORANGE	PIN 6	N/A
BLUE	PIN 7	N/A

## LED Wavelength



**Royal Blue**



**Blue**



**Green**



**Amber**



**Amber Orange**



**Red**



**White**



**UV**

## Features

- 8 different wavelengths
- Built-in driver
- Direct connection to camera and liquid lens

## Advantages

- 8 colors in 4 sections in one light
- For angle measurement, color checking, and reflective surface inspection
- Minimizes cabling requirements

## Benefits

- Saves time and reduces costs
- Increase efficiency
- Offers flexible usage
- Compact design for a streamlined, tidy installation