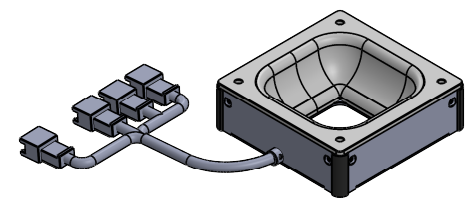
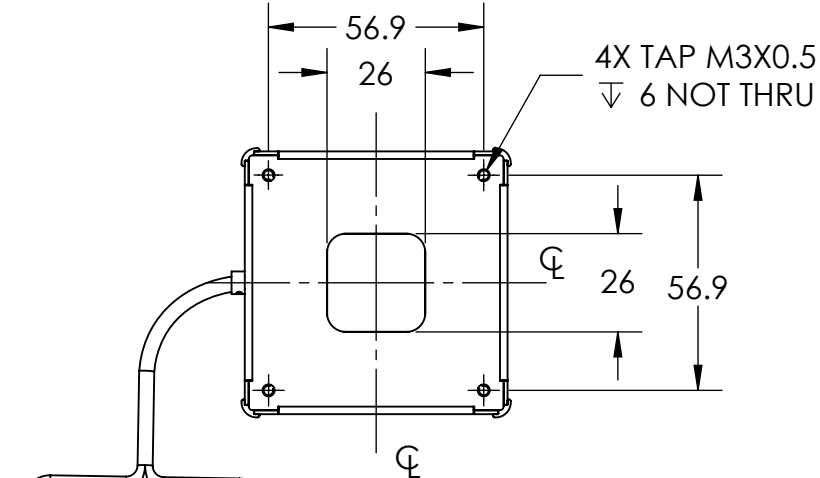


REVISIONS			
REV.	DESCRIPTIONS	EDIT BY	DATE:(d/m/y)

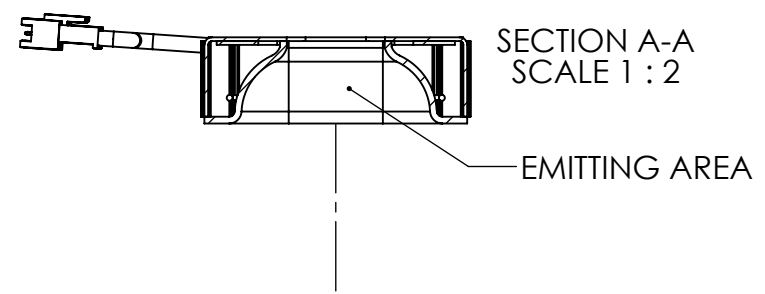
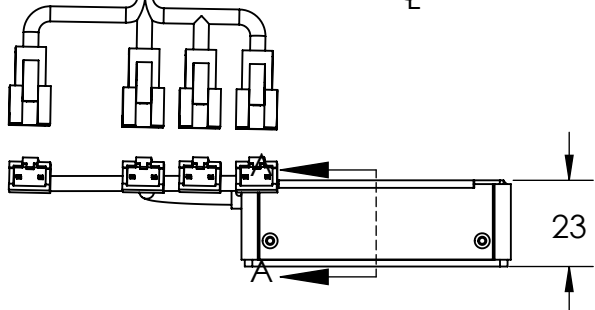
D

D



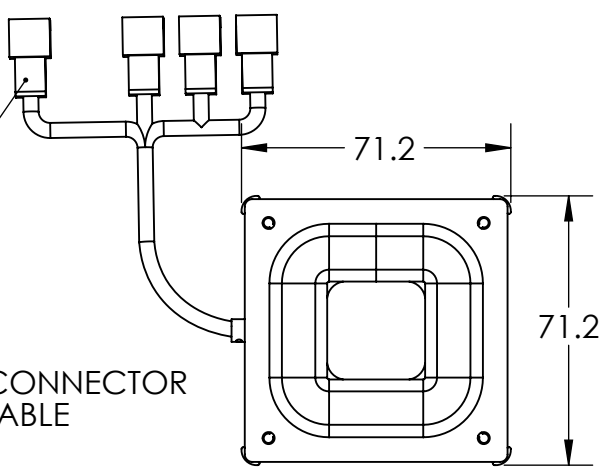
C

C



B

B



A

A



DESIGN BY	FIRDAUS	UNIT:	PRODUCT SERIES: DLA SERIES	
CHECK BY	NIZAM	MM	TITLE	
DATE	3/12/2021	REVISION:	PART NO	DRAWING LAYOUT
MATERIAL	-	01	DLA-00-070-1-RGBW-24V	
FINISHING	-	SCALE:	DWG NO	
QTY	-	1:1	-	SHEET 1 OF 1