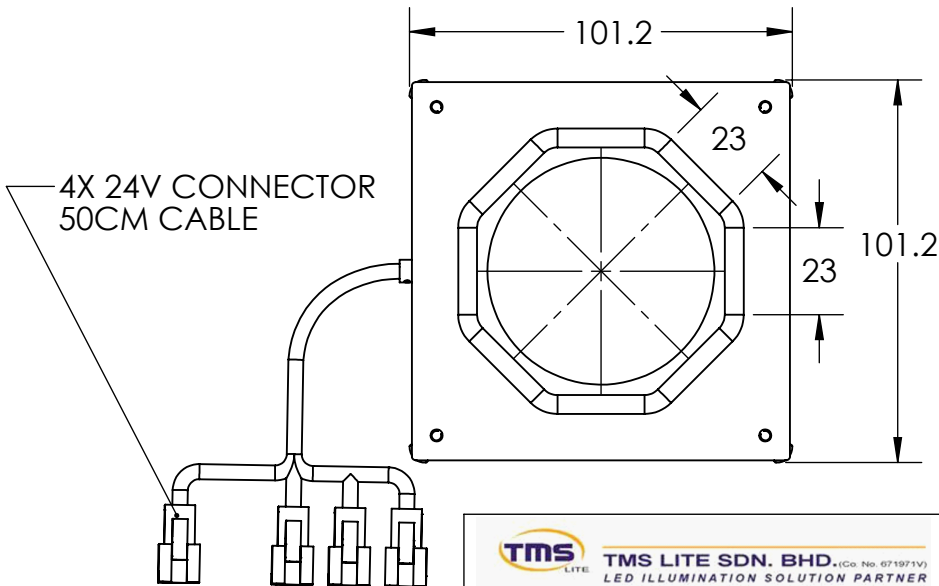
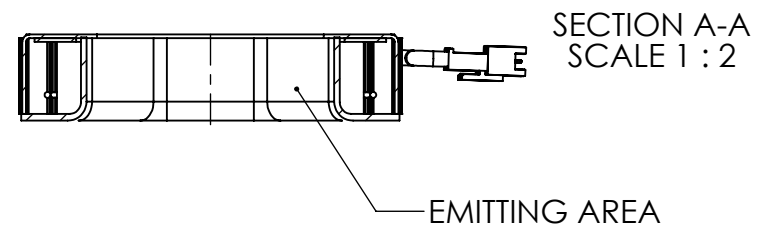
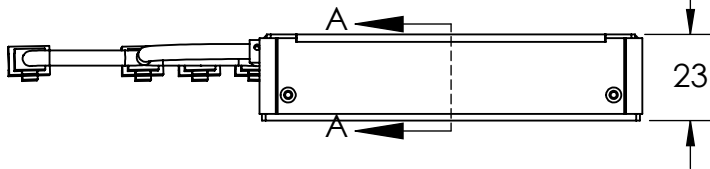
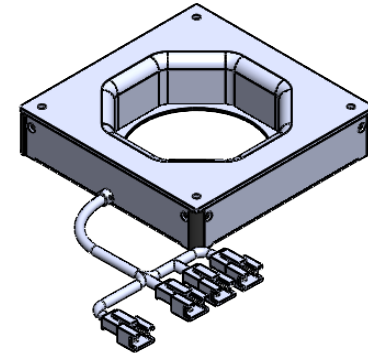
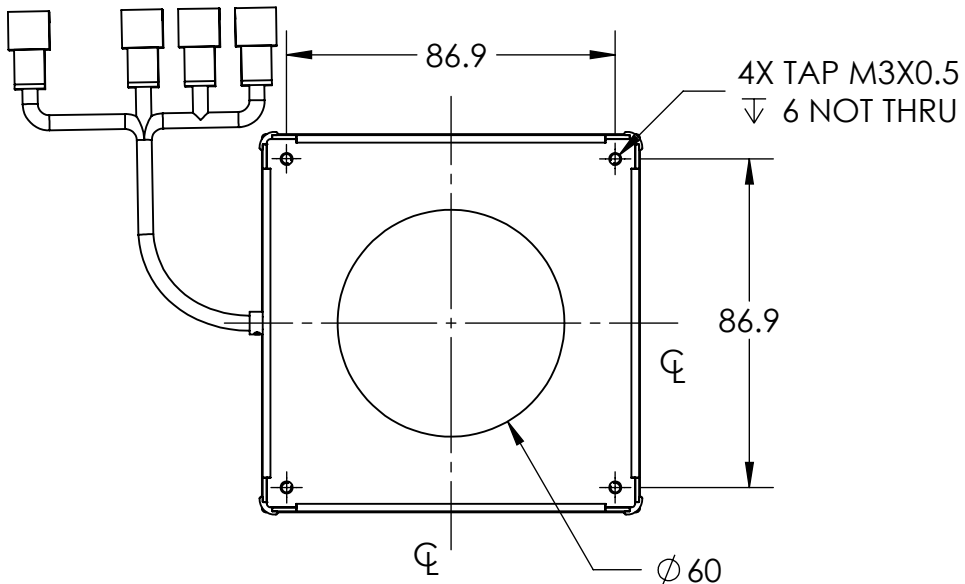


REVISIONS			
REV.	DESCRIPTIONS	EDIT BY	DATE:(d/m/y)



DESIGN BY	KB TAN	UNIT: MM	PRODUCT SERIES: F-DLP SERIES	
CHECK BY	KB TAN			
DATE	10/1/2022	REVISION: 01	TITLE	DRAWING LAYOUT
MATERIAL	-	SCALE: 1 : 1	PART NO	F-DLP-90-100-1-RGBW-24V
FINISHING	-		DWG NO	-
QTY	-			SHEET 1 OF 1