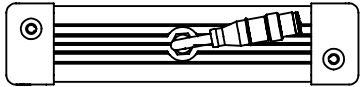
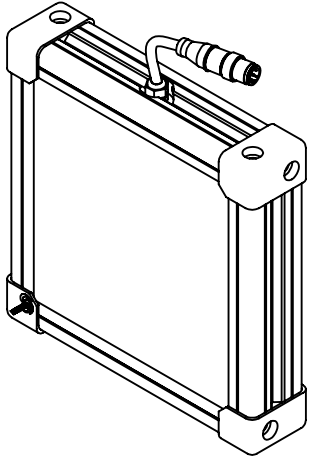
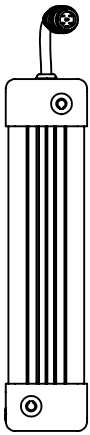
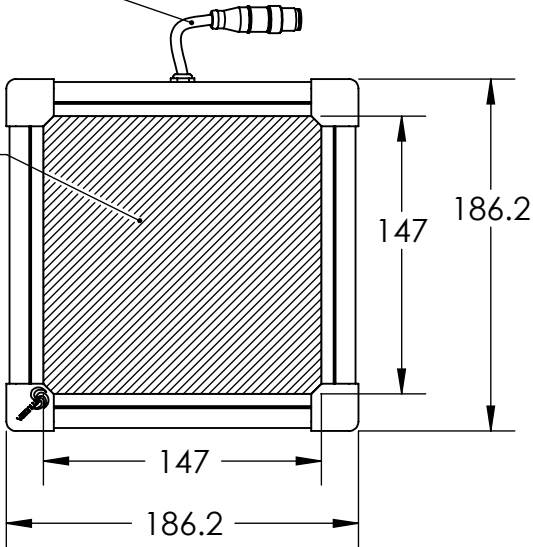


REVISIONS			
REV.	DESCRIPTIONS	EDIT BY	DATE:(d/m/y)
01	NEW DRAWING LAYOUT	SL LEE	27/10/2015
-	-	-	dd/mm/yyyy

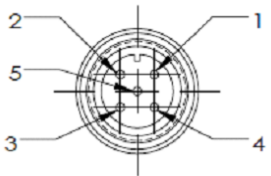


M12 CONNECTOR  
70CM CABLE

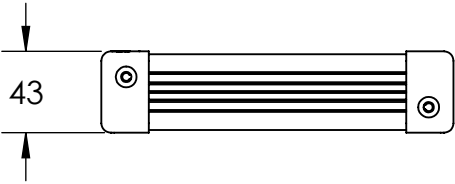
EMITTING AREA



MALE



PIN 1	BROWN	24V
PIN 2	WHITE	-
PIN 3	BLUE	GND
PIN 4	BLACK	-
PIN 5	GRAY	-



CUSTOMER APPROVED  
& DATE



DESIGN BY	SL LEE	UNIT: MM	PRODUCT SERIES: HBBX SERIES	
CHECK BY	KB TAN			
DATE	27/10/2015	REVISION: 01	TITLE	DRAWING LAYOUT
MATERIAL	-	SCALE: 1 : 4	PART NO	HBBX-00-160X160-X-X-24V
FINISHING	-		DWG NO	-
QTY	-			SHEET 1 OF 1