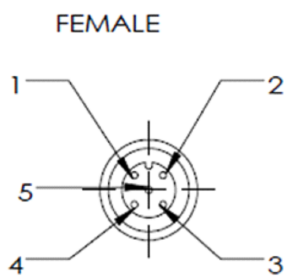
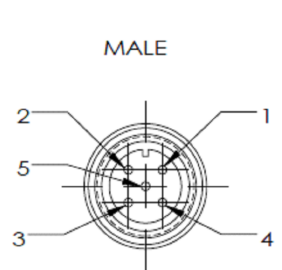
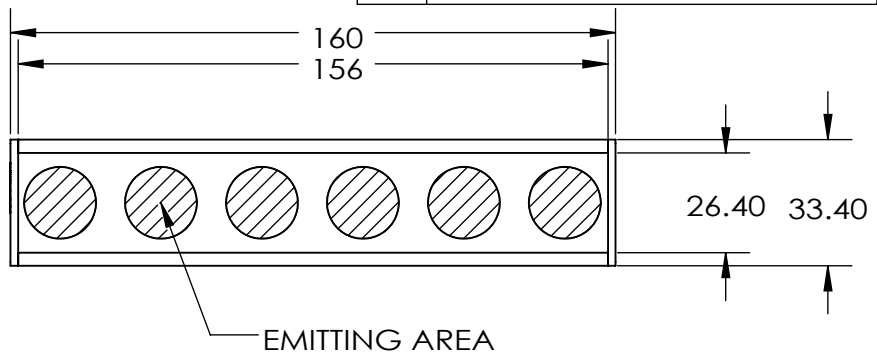
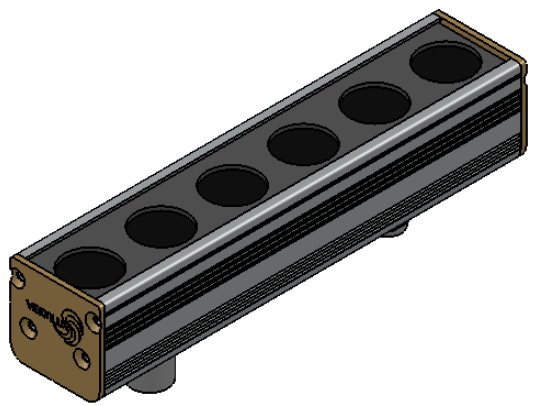
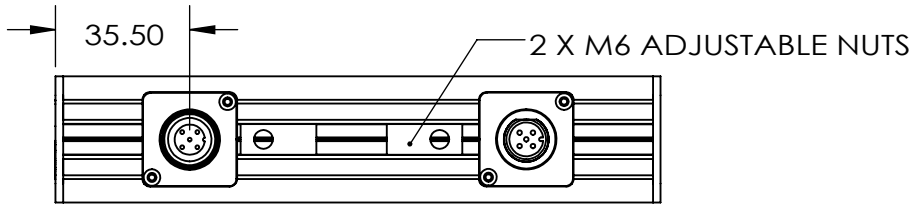
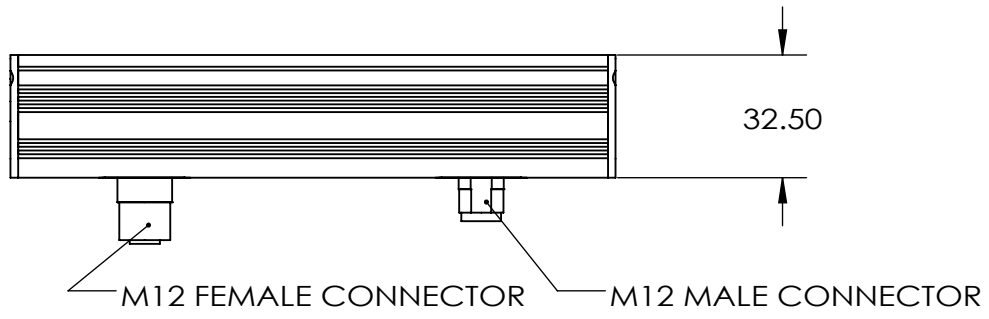


REVISIONS			
REV.	DESCRIPTIONS	EDIT BY	DATE:(d/m/y)
01	NEW DRAWING LAYOUT	SL LEE	27/10/2015
-	-	-	dd/mm/yyyy



PIN	COLOR	VOLTAGE
PIN 1	BROWN	24V
PIN 2	WHITE	-
PIN 3	BLUE	GND
PIN 4	BLACK	-
PIN 5	GRAY	-

PIN	COLOR	VOLTAGE
PIN 1	BROWN	24V
PIN 2	WHITE	-
PIN 3	BLUE	GND
PIN 4	BLACK	-
PIN 5	GRAY	-



CUSTOMER APPROVED
& DATE



DESIGN BY	SL LEE	UNIT:	PRODUCT SERIES: HBL3 SERIES	
CHECK BY	KB TAN	MM		
DATE	27/10/2015	REVISION:	DRAWING LAYOUT	
MATERIAL	-	01	TITLE	
FINISHING	-	SCALE:	PART NO	HBL3-00-160-1-UV-24V
QTY	-	1 : 2	DWG NO	-
			SHEET 1 OF 1	