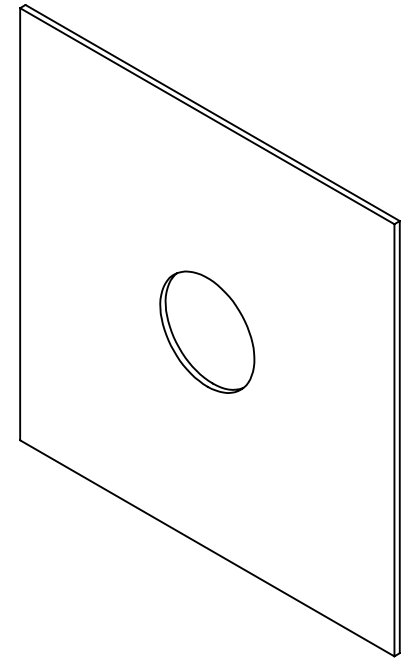
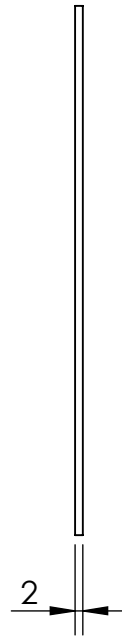
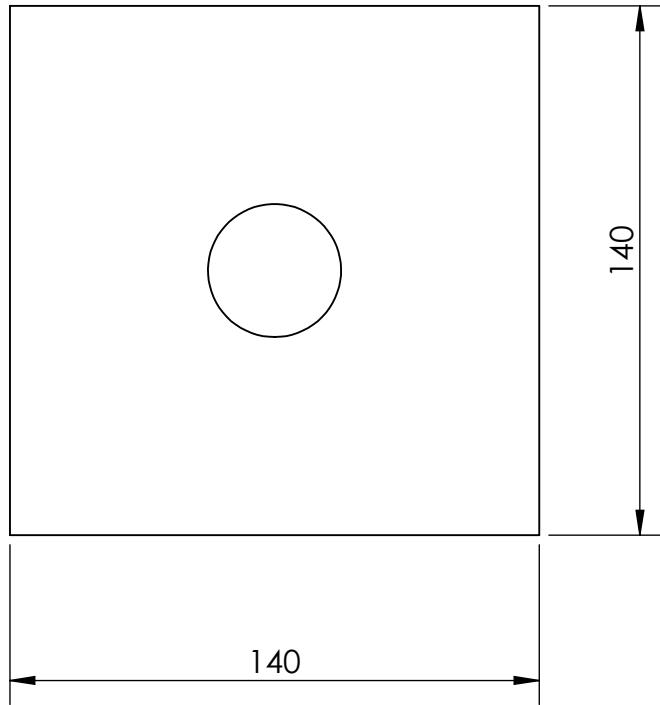


REVISIONS

ZONE	REV.	DESCRIPTIONS	DATE	APP.
------	------	--------------	------	------



**NOTE : M - T/T% (78%)**

DESIGN BY	FASIHAH	UNIT:	PRODUCT SERIES: HBQ3 SERIES		
CHECK BY	KB TAN	MM			
DATE	24/01/2018	REVISION:	TITLE	DIFFUSER	
MATERIAL	PG8 PERSPEX	01	PART NO	-	
FINISHING	-	SCALE:	DWG NO	HBR3-00-160-DIFFUSER-M	
QTY	1	1 : 2			COLOUR: - - -
					VOLTAGE: - - -
					CURRENT: - - -
					POWER: - - -
					SHEET 1 OF 1

