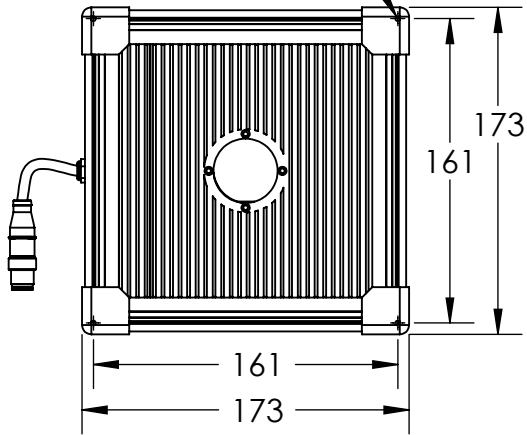
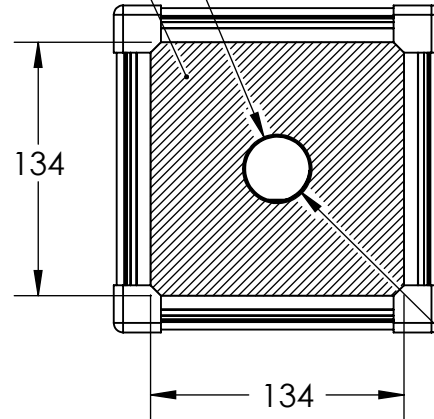


REVISIONS			
REV.	DESCRIPTIONS	EDIT BY	DATE:(d/m/y)
01	NEW DRAWING LAYOUT	SL LEE	27/10/2015
-	-	-	dd/mm/yyyy

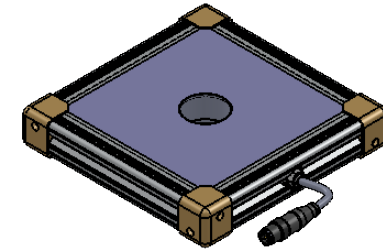
4 X TAP M3 ∇ 7.50



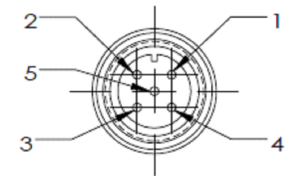
$\varnothing 36.6$
EMITTING AREA



M12 CONNECTOR
70CM CABLE



MALE



PIN 1	BROWN	24V
PIN 2	WHITE	-
PIN 3	BLUE	GND
PIN 4	BLACK	-
PIN 5	GRAY	-

CUSTOMER APPROVED
& DATE



DESIGN BY	LIYA
CHECK BY	LIYA
DATE	18/08/2016
MATERIAL	-
FINISHING	-
QTY	-

UNIT:	MM
REVISION:	02
SCALE:	1 : 4

PRODUCT SERIES: HBR3 SERIES

TITLE	DRAWING LAYOUT
PART NO	HBR3-00-160-X-IR860-24V
DWG NO	-

SHEET 1 OF 1