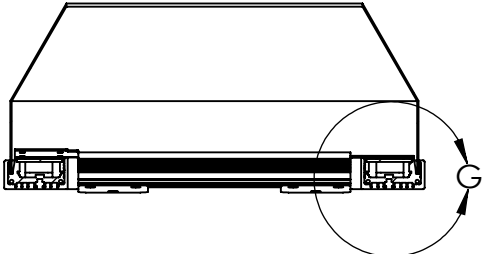
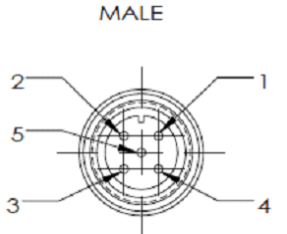
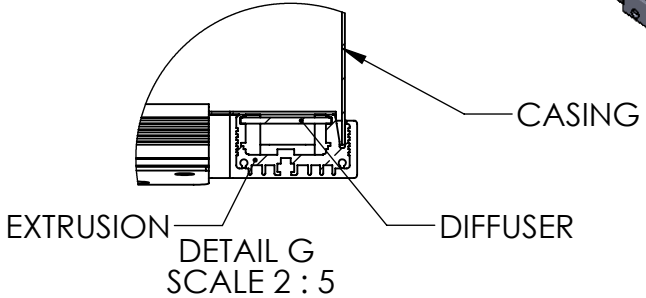
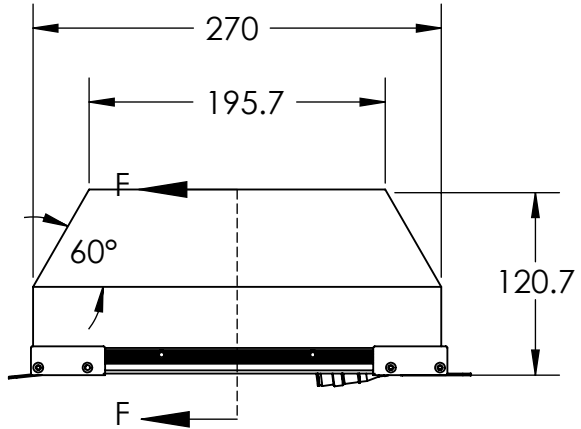
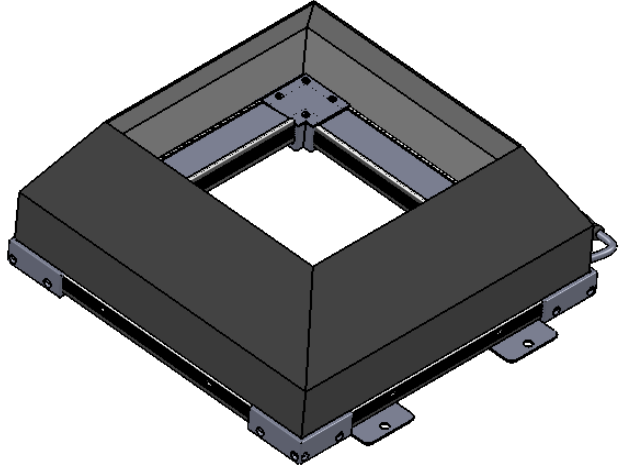
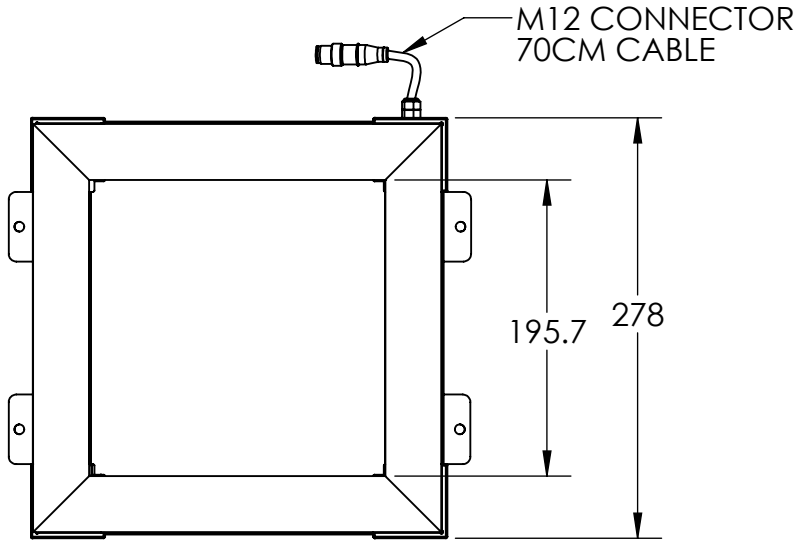


REVISIONS			
REV.	DESCRIPTIONS	EDIT BY	DATE:(d/m/y)
01	NEW DRAWING LAYOUT	SL LEE	27/10/2015
-	-	-	dd/mm/yyyy



PIN 1	BROWN	24V
PIN 2	WHITE	-
PIN 3	BLUE	GND
PIN 4	BLACK	-
PIN 5	GRAY	-

CUSTOMER APPROVED
& DATE



DESIGN BY	SL LEE	UNIT:	PRODUCT SERIES: HDLQ SERIES	
CHECK BY	KB TAN	MM		
DATE	27/10/2015	REVISION:	TITLE	DRAWING LAYOUT
MATERIAL	-	01	PART NO	HDLQ-00-190-X-X-24V
FINISHING	-	SCALE:	DWG NO	-
QTY	-	1 : 5	SHEET 1 OF 1	