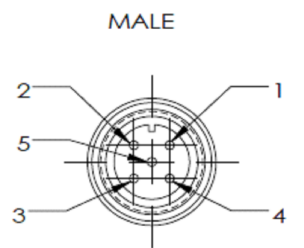
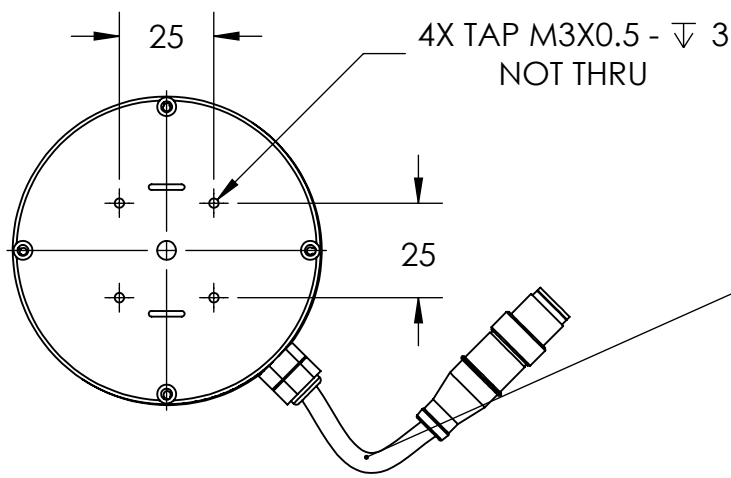
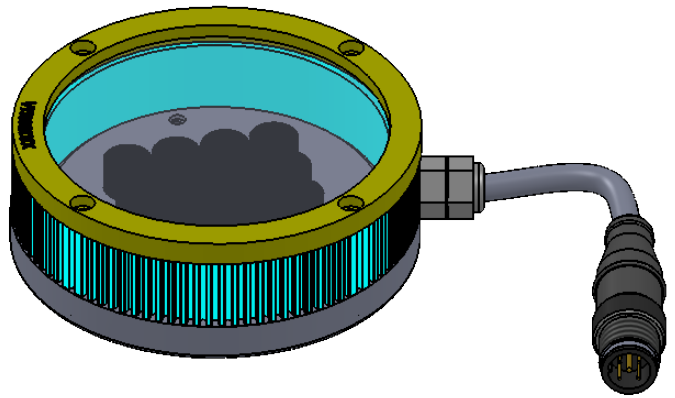
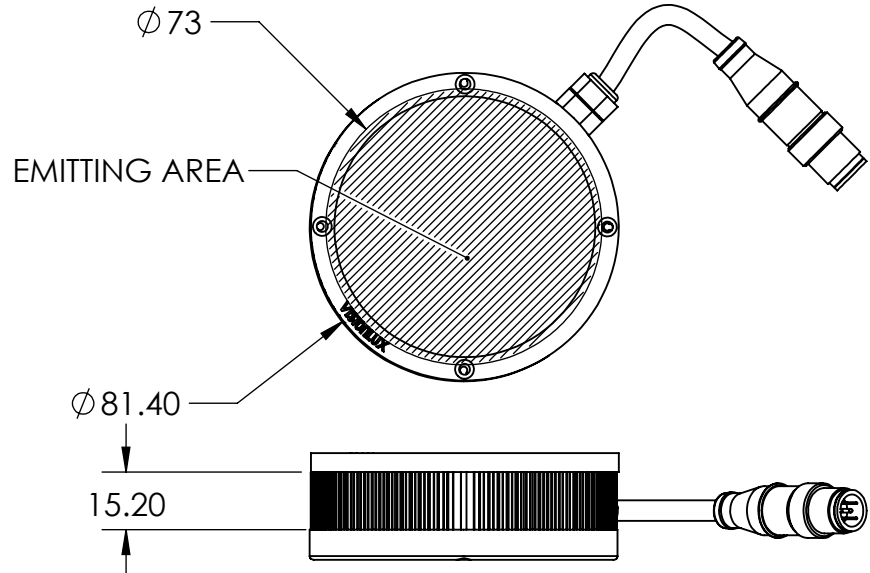



| REVISIONS | | | |
|-----------|--------------|---------|--------------|
| REV. | DESCRIPTIONS | EDIT BY | DATE:(d/m/y) |
| | | | |



| | | |
|-------|-------|-----|
| PIN 1 | BROWN | 24V |
| PIN 2 | WHITE | - |
| PIN 3 | BLUE | GND |
| PIN 4 | BLACK | - |
| PIN 5 | GRAY | - |

M12 CONNECTOR
70CM CABLE

| | | | | | | |
|--|-----------|----------|-----------|-----|------------------------------|--------------------------|
|  | DESIGN BY | AFIZA | UNIT: | MM | PRODUCT SERIES: HSBT2 SERIES | |
| | CHECK BY | KB TAN | REVISION: | 01 | TITLE | DRAWING LAYOUT |
| | DATE | 1/9/2017 | SCALE: | 1:2 | PART NO | HSBT2-00-080-X-IR860-24V |
| | MATERIAL | - | DWG NO | - | SHEET 1 OF 1 | |
| | FINISHING | - | | | | |
| QTY | - | | | | | |