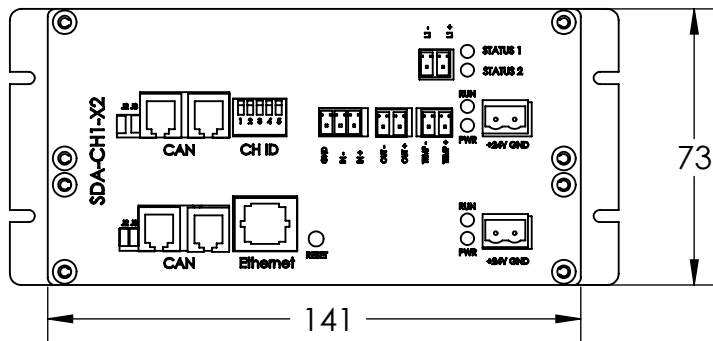
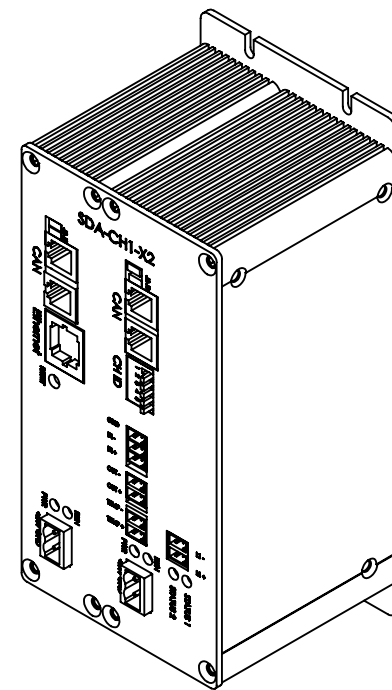
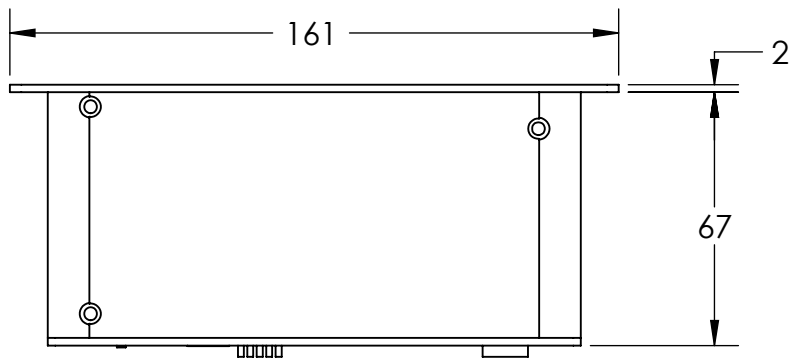


REV. DESCRIPTIONS		EDIT BY	DATE:(d/m/y)



DESIGN BY	KB TAN	UNIT: MM	PRODUCT SERIES: SDA-CONTROLLER SERIES	
CHECK BY	KB TAN			
DATE	04/07/2016	REVISION: 01	TITLE	DRAWING LAYOUT
MATERIAL	-	SCALE: 1:1	PART NO	SDA-CH1-X2
FINISHING	-		DWG NO	-
QTY	-			SHEET 1 OF 1