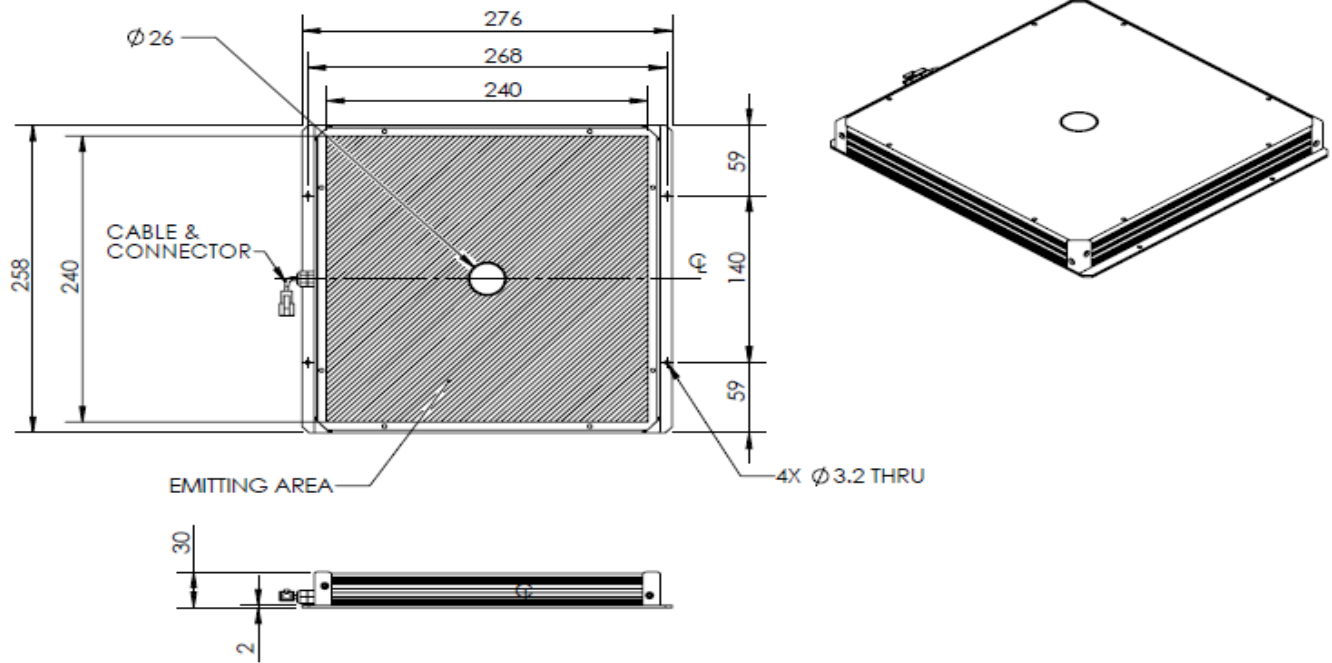




ILLUMINATOR DATA


BHLQ-00-240X240-X-R-24V

Lighting Dimension



Mechanical Information	
Casing Material	Aluminium
Storage Temperature Range	Temp 0-45°C, Humidity 20-85%
Weight	1500 g
Length	276 mm X 258 mm
Width	240 mm X 240 mm WITH $\phi 26$
Thickness	30 mm

BHLQ-00-240X240-X-R-24V

Optical Information				
Part Number	BHLQ-00-240X240-X-R-24V			
LED Color	RED			
Wavelength	(nm)	630		
Intensity ($\pm 15\%$)	(Lux)	10181.4	9599.2 8761.4	
Working Distance	(mm)	70	85 100	
Illumination (number of row)	X			
Illumination Active Area				
Active Width	(mm)	26		
Active Length	(mm)	240 X 240		
Emission angle	(deg.)	0		
Eye Safety Class (IEC62471)	EXEMPT			
Electrical Information				
Lighting Supply Voltage (constant voltage mode)	(constant voltage mode)	24V \pm 2%		
Continuous Current	(mA)	1200		
Power Consumption	(W)	28.8		
Lighting casing temperature, after 60 minutes	Operating °C	59		
Max.continuous current of Red,Green & Blue Leds on at a same time (RGB color)	°C	RED, GREEN & BLUE LEDs on at a same time are not recommended		
Strobe Mode Specification				
Pulse Operation	YES			
Max. Lighting Supply Voltage (Constant voltage power supply)	(V)	Pulsing at 24VDC to 48VDC, 0-10% Duty Cycle Recommended at 36VDC		
Pulse Current, (Max. 10msec) (Constant current power supply)	(mA)	3600		
Max. Trigger Pulse Duration	(msec)	10		
Duty Cycle	0-10%			
Additional Information				
Additional Cooling Method	Attached to machine part for better heat dissipation			
Life span in continuous mode	20,000 hours (drop to 50% intensity) at 25°C			
Life span in strobe mode	Est. >50,000 hours (drop to 50% intensity) at 25°C			
Intensity Controller Selection	ANG-Series, LC-Series, STB-Series			
CE Conformity	YES			
RoHS Compliance	YES			
Connection				
Connector Type (Default):	JST SMR-03V			
Cable Length out from lighting :	(mm)	500		
Pin Configuration :		Pin	Signal	Cable Color
		1	LED +	RED
		2	N.C.	---
		3	LED -	WHITE
				
Application				
Optimal Working Distance	(mm)	70-100		