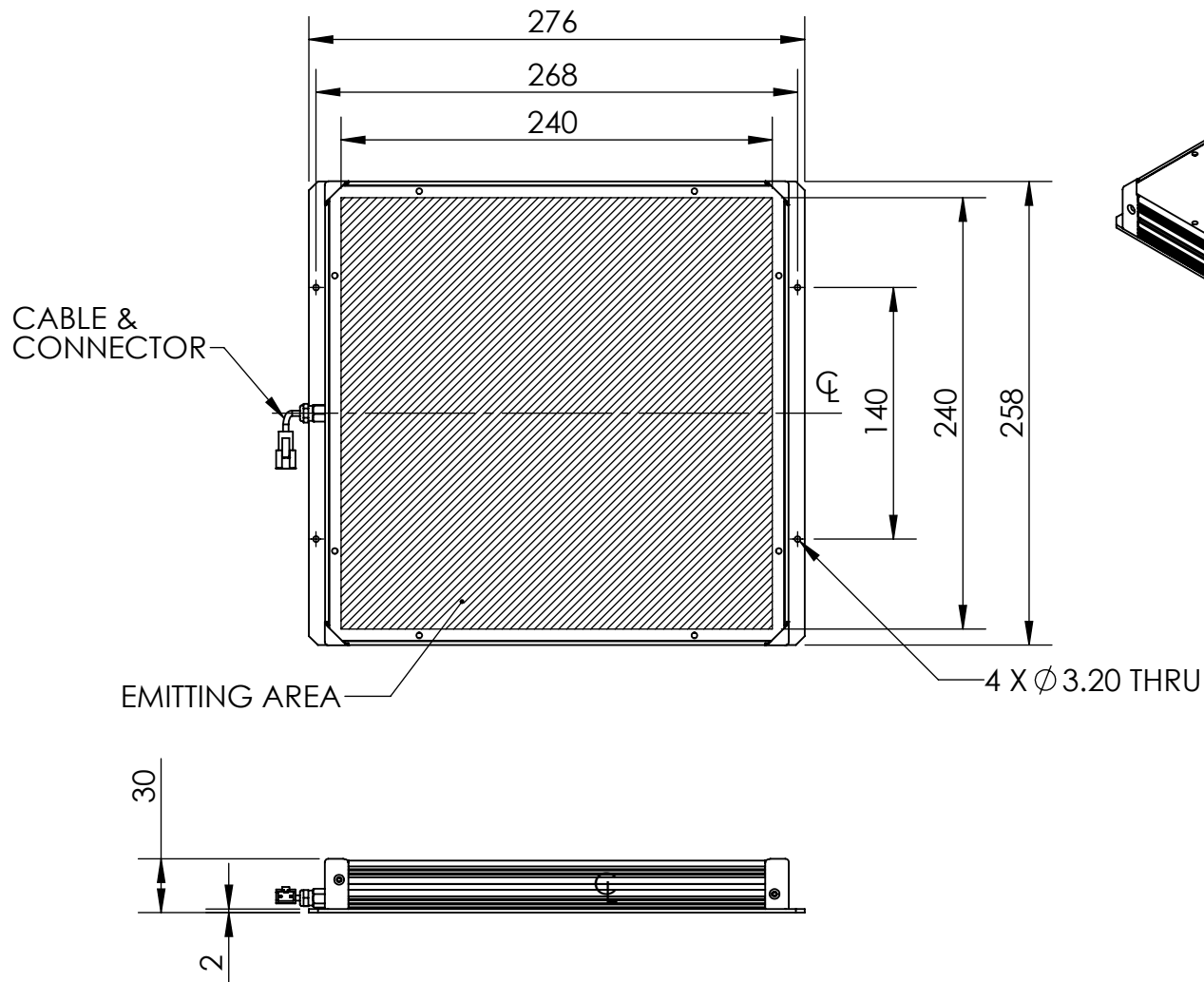


1 2 3 4 5 6 7 8

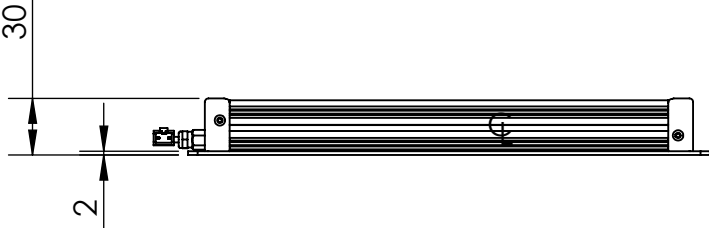
REVISIONS				
ZONE	REV.	DESCRIPTIONS	DATE	APP.



CABLE & CONNECTOR

EMITTING AREA

4 X Ø 3.20 THRU



DESIGN BY	KB TAN	UNIT: MM	PRODUCT SERIES: BHLX3 SERIES				
CHECK BY	KB TAN						
DATE	13/01/2016	REVISION: 01	TITLE	DRAWING LAYOUT	COLOUR:	-	-
MATERIAL	-	SCALE: 1 : 4	PART NO	BHLX3-00-240X240-X-X-24V	VOLTAGE:	-	-
FINISHING	-		DWG NO	-	CURRENT:	-	-
QTY	-					POWER:	-
						SHEET 1 OF 1	



1 2 3 4 5 6 7 8

D
C
B
A

D
C
B
A