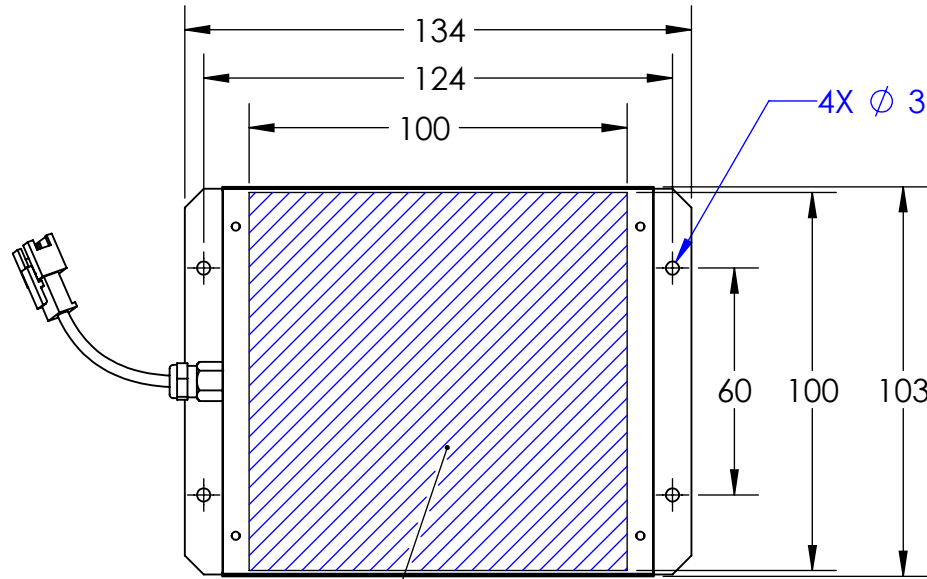
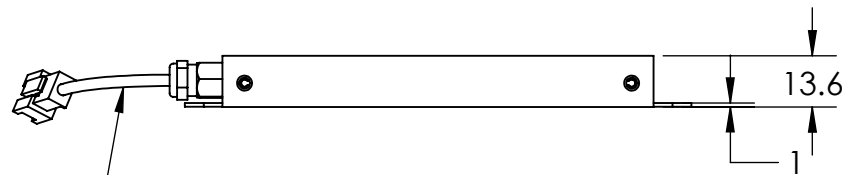
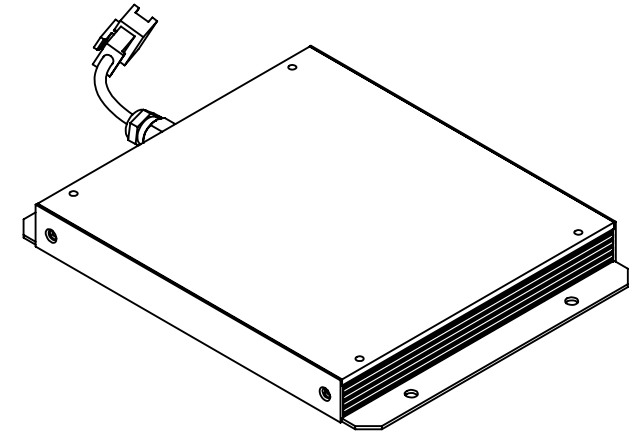


REVISIONS

ZONE	REV.	DESCRIPTIONS	DATE	APP.
------	------	--------------	------	------



EMITTING AREA



CABLE & CONNECTOR



DESIGN BY	AFIZA
CHECK BY	KB TAN
DATE	17/08/2016
MATERIAL	-
FINISHING	-
QTY	1

UNIT:	MM
REVISION:	01
SCALE:	1:2

PRODUCT SERIES: BHS4 SERIES

TITLE	DRAWING LAYOUT
PART NO	BHS4-00-100-X-IR850-24V
DWG NO	-

COLOUR:	-	-
VOLTAGE:	-	-
CURRENT:	-	-
POWER:	-	-
SHEET 1 OF 1		

