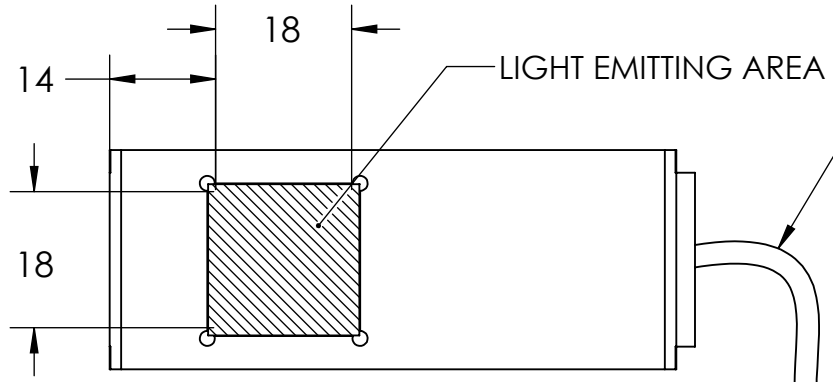
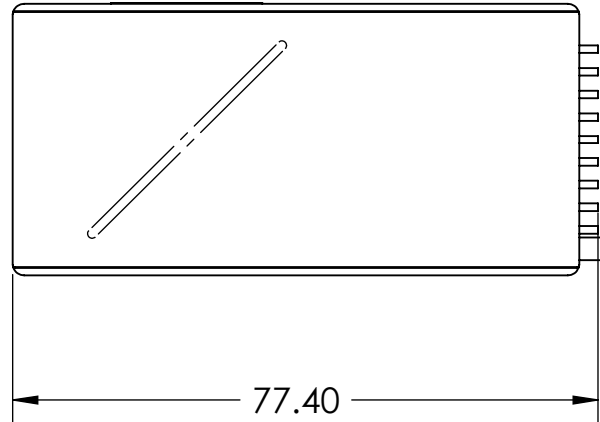
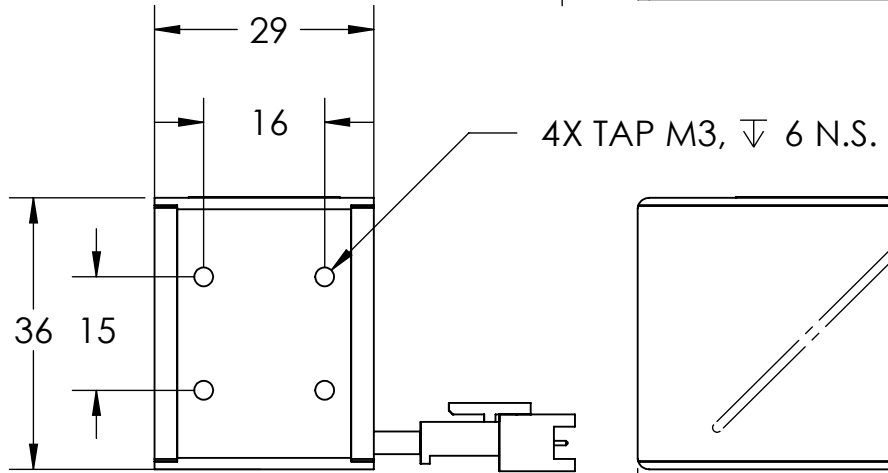
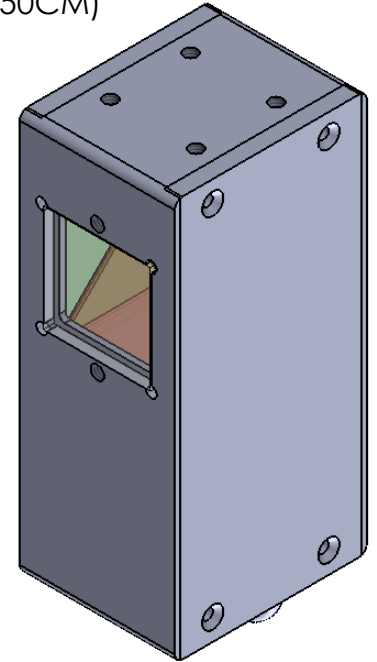


REVISIONS

ZONE	REV.	DESCRIPTIONS	DATE	APP.
------	------	--------------	------	------



CONNECTOR  
(CABLE 50CM)



DESIGN BY	CC OOI	UNIT:	<b>PRODUCT SERIES: CAS2 SERIES</b>				
CHECK BY	TH LEE	MM					
DATE	10/10/2013	REVISION:	TITLE	DRAWING LAYOUT	COLOUR:	-	-
MATERIAL	-	01	PART NO	CAS2-00-010-X-X-24V	VOLTAGE:	-	-
FINISHING	-	SCALE:	DWG NO	-	CURRENT:	-	-
QTY	-	1 : 1.5			POWER:	-	-
					SHEET 1 OF 1		

