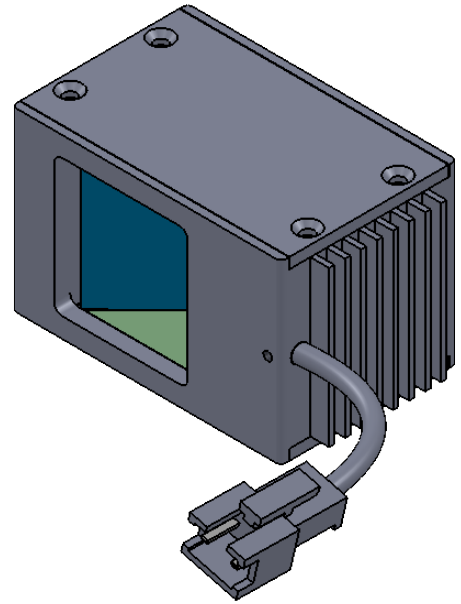
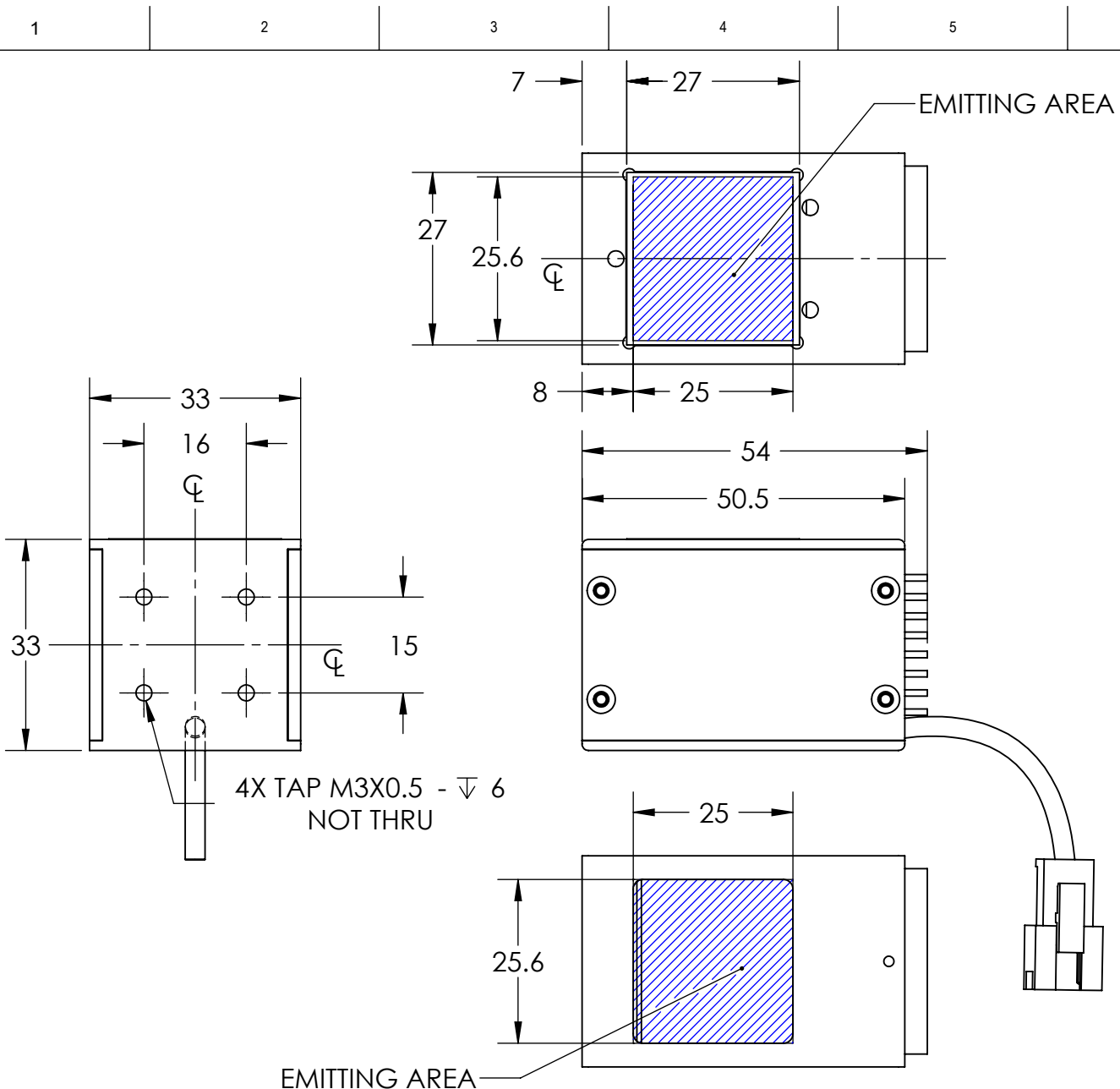


REVISIONS				
ZONE	REV.	DESCRIPTIONS	DATE	APP.



DESIGN BY	AZMI	UNIT:	PRODUCT SERIES: CAS2 SERIES		
CHECK BY	KB TAN	MM	DRAWING LAYOUT		
DATE	8/12/2017	REVISION:	TITLE	COLOUR: - -	
MATERIAL	-	02	PART NO	CAS2-00-025-X-UV365-24V	VOLTAGE: - -
FINISHING	-	SCALE:	DWG NO	-	CURRENT: - -
QTY	1	1:1			POWER: - -
					SHEET 1 OF 1