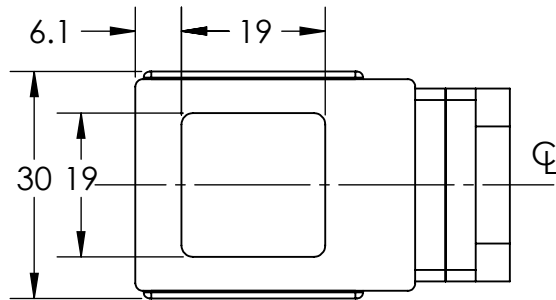


REVISIONS			
REV.	DESCRIPTIONS	EDIT BY	DATE:(d/m/y)

D

D

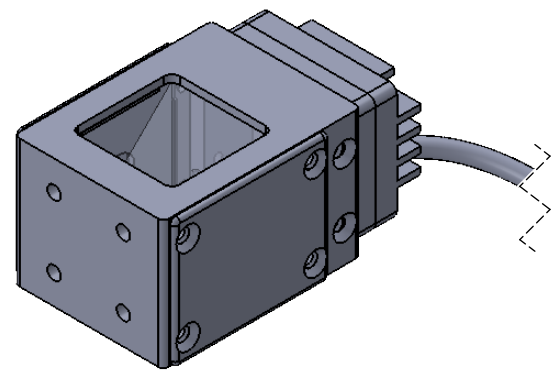
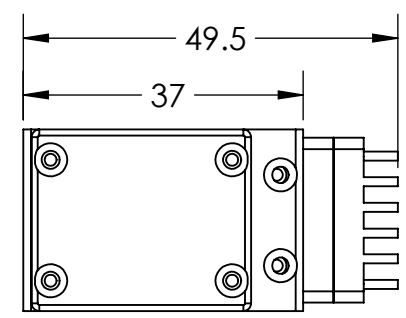
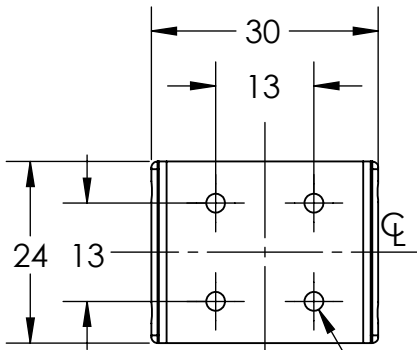


CONNECTOR

30CM CABLE

C

C

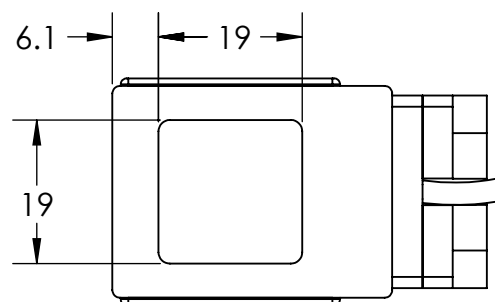


4X TAP M3X0.5 -  $\nabla$  4 NOT THRU

RESISTOR CASING

B

B



20CM CABLE

A

A

DESIGN BY	KB TAN	UNIT: MM	PRODUCT SERIES: CASC SERIES	
CHECK BY	KB TAN			
DATE	08/11/2017	REVISION: 01	TITLE	DRAWING LAYOUT
MATERIAL	-	SCALE: 1:1	PART NO	CASC-00-015-X-X-24V
FINISHING	-		DWG NO	-
QTY	-			SHEET 1 OF 1

