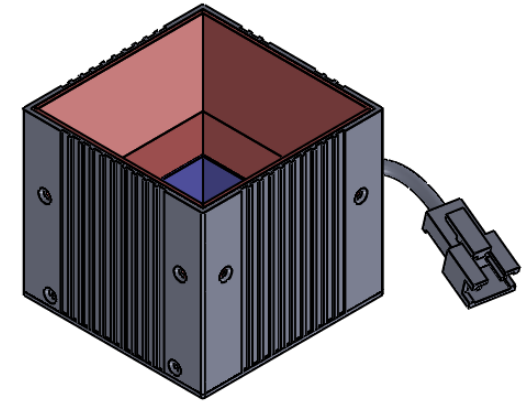
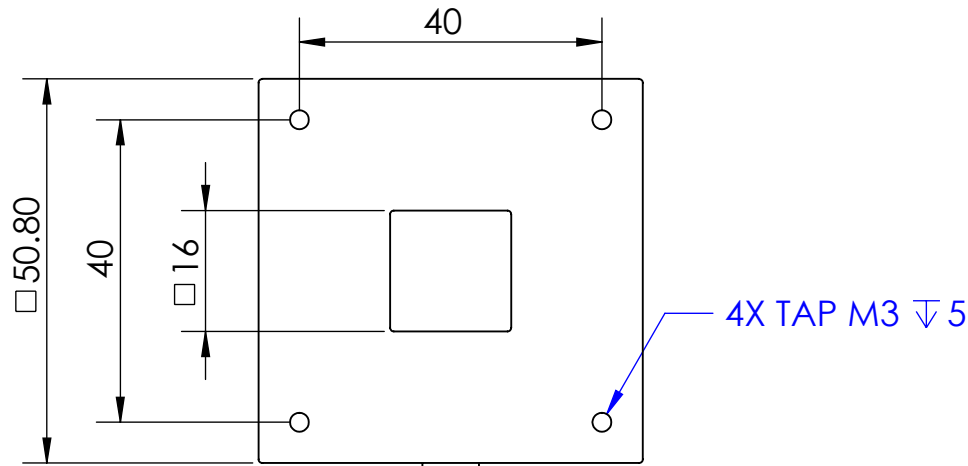
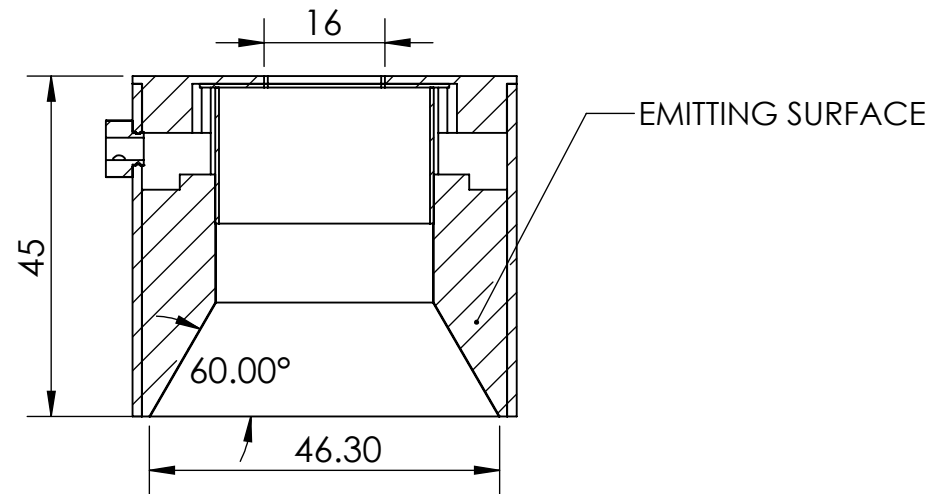
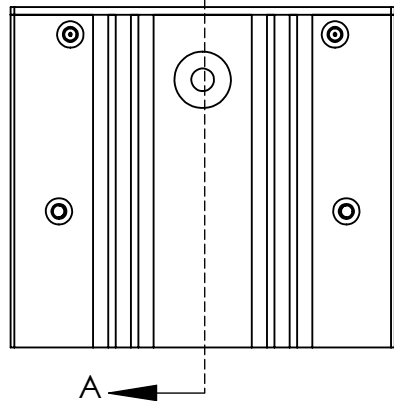


REVISIONS

ZONE	REV.	DESCRIPTIONS	DATE	APP.
------	------	--------------	------	------



(CONNECTOR)
CABLE 50CM



DESIGN BY	CC OOI	UNIT:	PRODUCT SERIES: DLS SERIES		
CHECK BY	EH-LOH	MM			
DATE	05/12/2012	REVISION:	TITLE	DRAWING LAYOUT	COLOUR: - -
MATERIAL	-	02	PART NO	DLS2-60-050-1-X-24V	VOLTAGE: - -
FINISHING	-	SCALE:	DWG NO	-	CURRENT: - -
QTY	-	1:1			POWER: - -
					SHEET 1 OF 1

