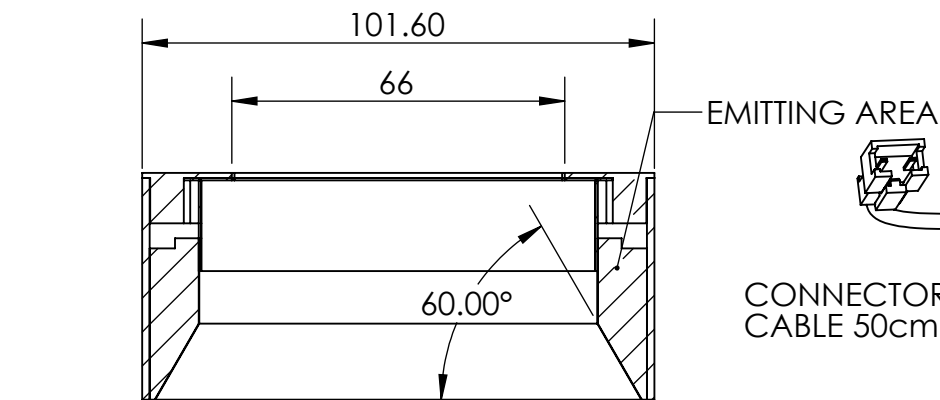
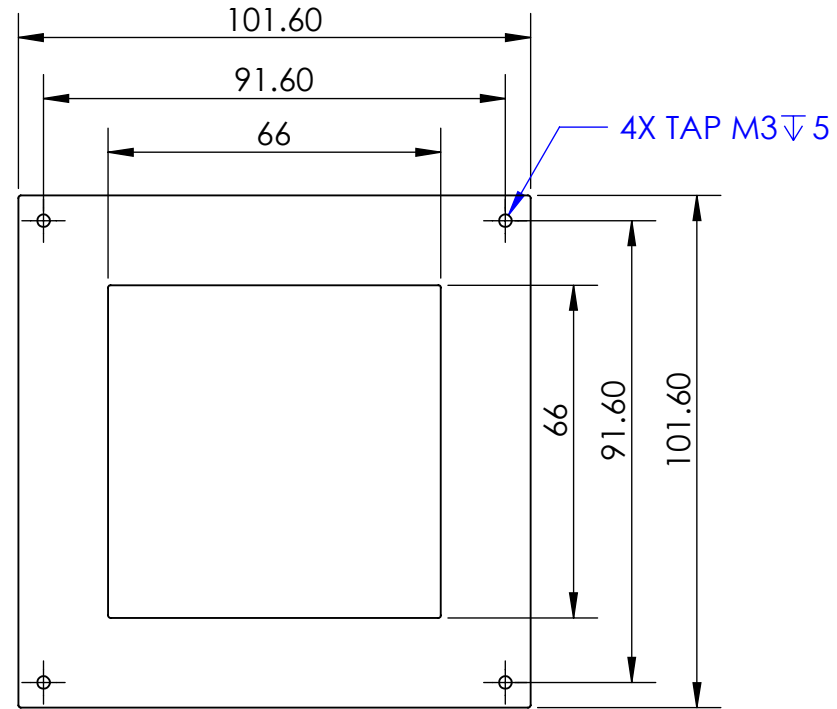
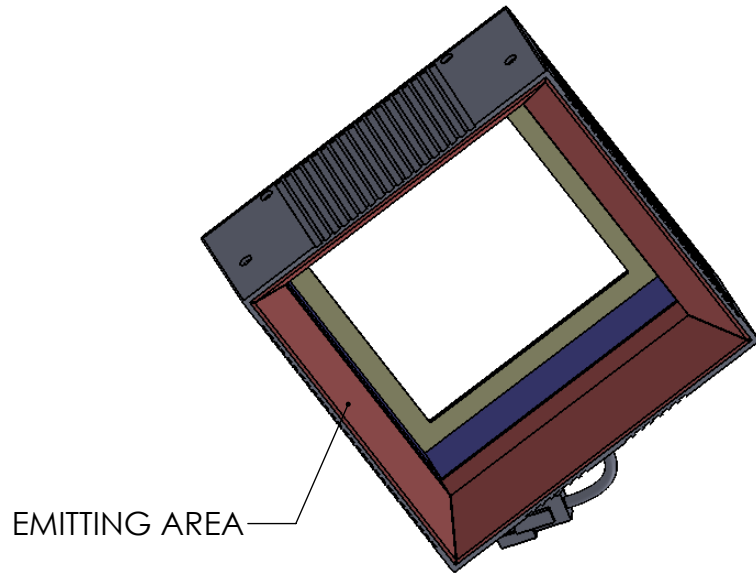
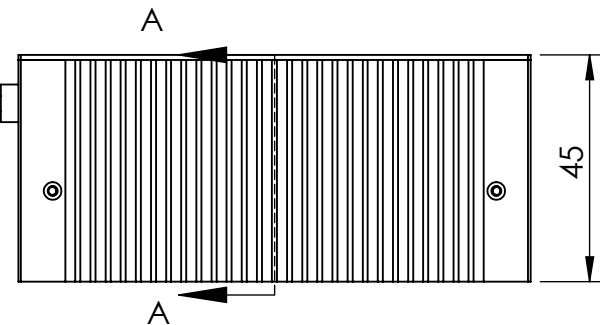


REVISIONS

ZONE	REV.	DESCRIPTIONS	DATE	APP.
------	------	--------------	------	------



SECTION A-A
SCALE 1 : 1.5



DESIGN BY	GP KHAW	UNIT:	PRODUCT SERIES: DLW SERIES		
CHECK BY	EH-LOH	MM			
DATE	05/03/2012	REVISION:			
MATERIAL	-	01	TITLE	DRAWING LAYOUT	
FINISHING	-	SCALE:	PART NO	DLW2-60-100-1-X-24V	
QTY	1	2 : 3	DWG NO	-	
			COLOUR:	-	-
			VOLTAGE:	-	-
			CURRENT:	-	-
			POWER:	-	-
			SHEET 1 OF 1		

