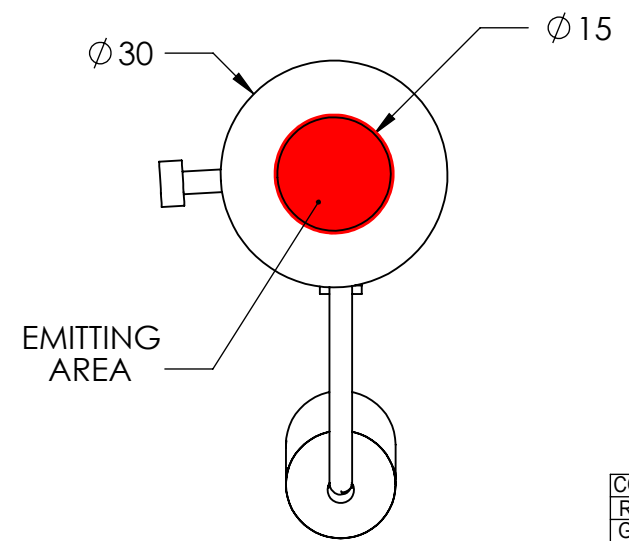
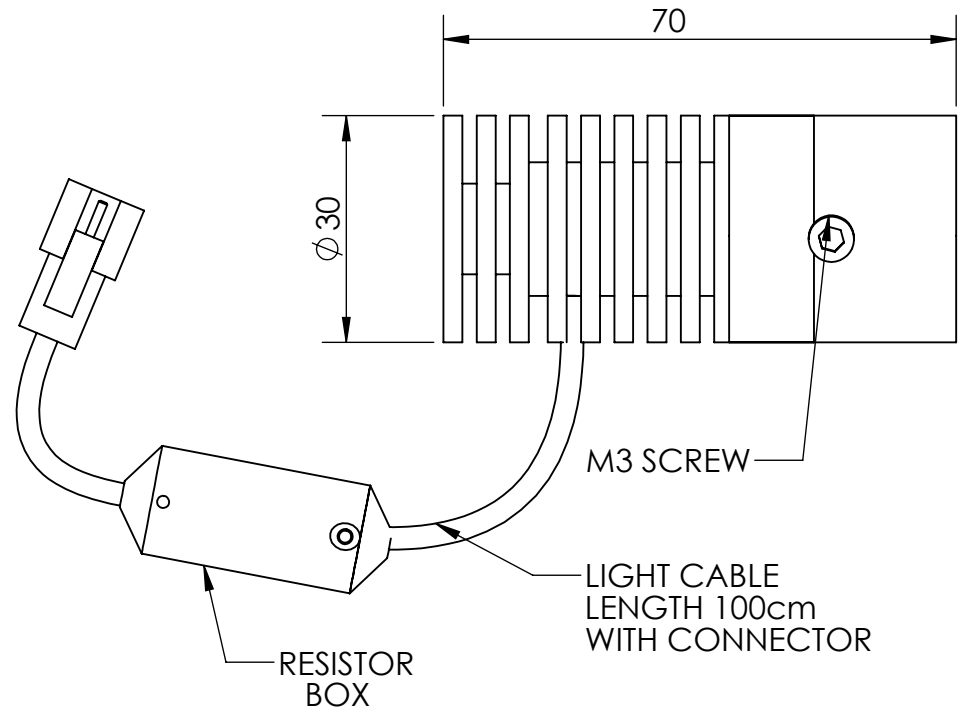
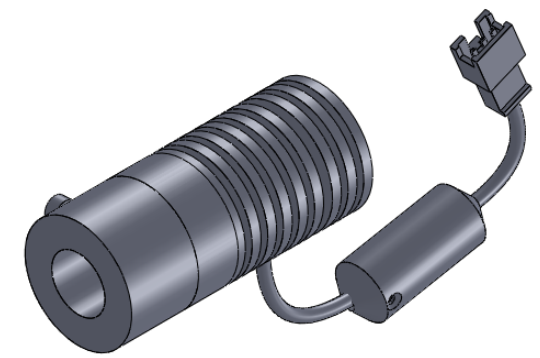


REVISIONS

| ZONE | REV. | DESCRIPTIONS | DATE | APP. |
|------|------|--------------|------|------|
| | | | | |



| COLOR | WAVE LENGHT |
|---------|-------------------|
| RED: | 660nm |
| GREEN: | 525nm |
| BLUE: | 470nm |
| WHITE: | -- |
| IR 850: | 850nm |
| IR 940: | 940nm |
| UV: | 380-385nm |
| RGB: | 660nm/525nm/470nm |

| | | | |
|-----------|------------|-----------|-----|
| DESIGN BY | KB TAN | UNIT: | MM |
| CHECK BY | KB TAN | REVISION: | 01 |
| DATE | 11/05/2015 | SCALE: | 1:1 |
| MATERIAL | ALU | | |
| FINISHING | B/ANOD | | |
| QTY | - | | |

| | | | |
|-----------------------------------|------------------|--------------|-------|
| PRODUCT SERIES: HBF SERIES | | | |
| TITLE | DRAWING LAYOUT | COLOUR: | - - - |
| PART NO | HBF-00-16-1-X-5V | VOLTAGE: | - - - |
| DWG NO | - | CURRENT: | - - - |
| | | POWER: | - - - |
| | | SHEET 1 OF 1 | |