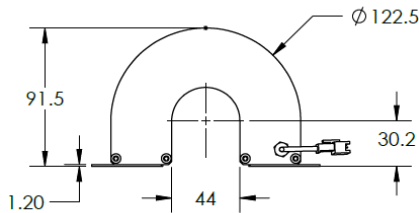
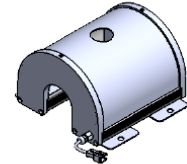
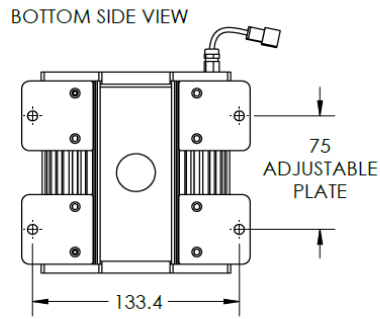
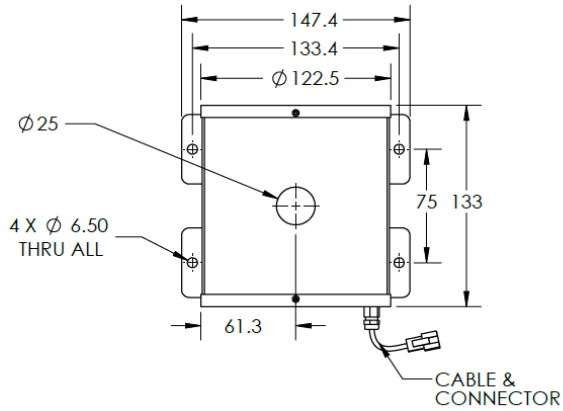




ILLUMINATOR DATA-ID

IDT3-00-120-1-G-24V

Lighting Dimension




| Mechanical Information | |
|---------------------------|------------------------------|
| Casing Material | Aluminium |
| Storage Temperature Range | Temp 0-45°C, Humidity 20-85% |
| Weight | 710 g |
| Length / Outer Diameter | 133 mm |
| Width / Inner Diameter | 147.4 mm |
| Thickness / Height | 91.5 mm |



ILLUMINATOR DATA-ID

IDT3-00-120-1-G-24V

| Optical Information | | | | |
|--|--------|---|--------|-------------|
| Part Number | | IDT3-00-120-1-G-24V | | |
| LED Color | | GREEN | | |
| Wavelength | (nm) | 525 | | |
| Intensity (±15%) | (Lux) | TBA | TBA | TBA |
| Working Distance | (mm) | 40 | 50 | 60 |
| Illumination (number of row) | | 1 | | |
| Illumination Active Area | | | | |
| Active Length / Outer Diameter | (mm) | 117 | | |
| Active Width / Inner Diameter | (mm) | 46 | | |
| Emission angle | (deg.) | 0 | | |
| Eye Safety Class (IEC62471) | | EXEMPT | | |
| Electrical Information | | | | |
| Lighting Supply Voltage (constant voltage mode) | | 24V ± 2% | | |
| Continuous Current | (mA) | 320 | | |
| Power Consumption | (W) | 7.68 | | |
| Lighting casing temperature, Operating after 60 minutes | °C | TBA | | |
| Strobe Mode Specification | | | | |
| Pulse Operation | | YES | | |
| Max. Lighting Supply Voltage (Constant voltage power supply) | (V) | Pulsing at 24VDC to 48VDC, 0-10% Duty Cycle Recommended at 36VDC | | |
| Pulse Current, (Max. 10msec) (Constant current power supply) | (mA) | 960 | | |
| Max. Trigger Pulse Duration | (msec) | 10 | | |
| Duty Cycle | | 0-10% | | |
| Additional Information | | | | |
| Additional Cooling Method | | Attached to machine part for better heat dissipation | | |
| Intensity Controller Selection | | ANGX, ST, SD and SDA Series | | |
| CE Conformity | | YES | | |
| RoHS Compliance | | YES | | |
| Connection | | | | |
| Connector Type (Default): | | JST SMR-03V | | |
| Cable Length out from lighting : | (mm) | 500 | | |
| Pin Configuration : | | Pin | Signal | Cable Color |
| | | 1 | LED + | RED |
| | | 2 | N.C. | --- |
| | | 3 | LED - | WHITE |
|  | | | | |
| Application | | | | |
| Illumination Type | | Indirect Illumination | | |
| Applicattion Use | | Crack, chip, stains on circular or cylindrical objects, solder inspection and substract inspection. | | |