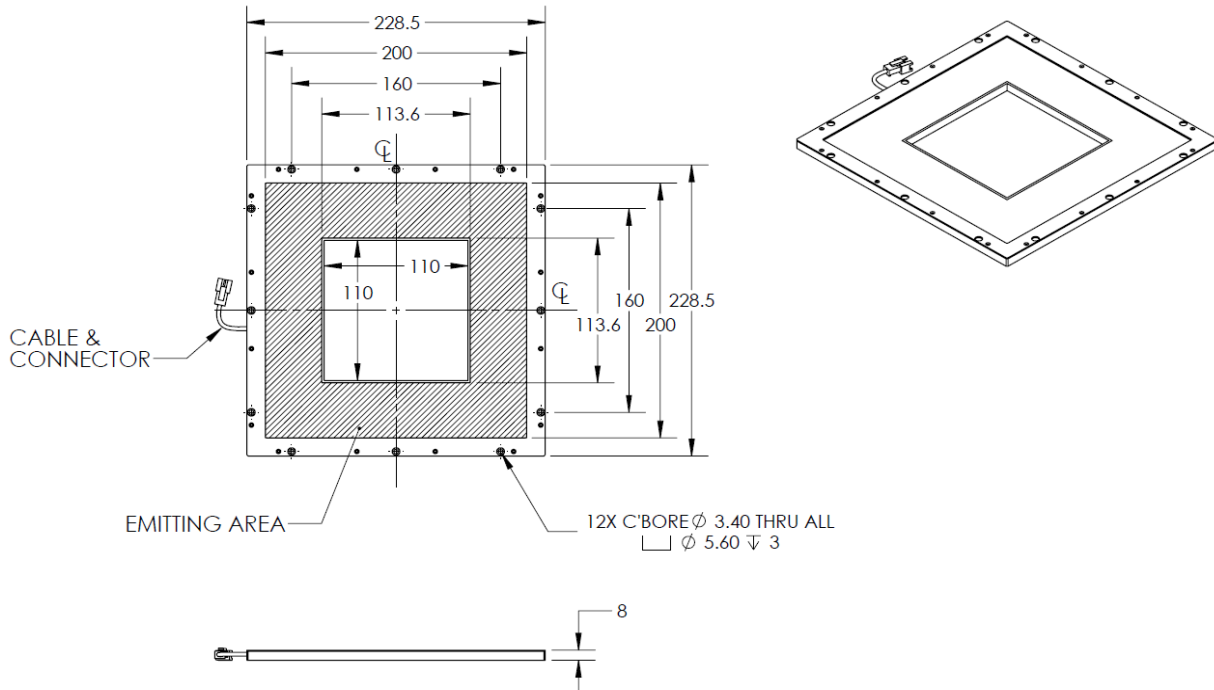




ILLUMINATOR DATA-ID

BHDQ-00-200X200-1-B-24V

Lighting Dimension




Mechanical Information	
Casing Material	Aluminium
Storage Temperature Range	Temp 0-45°C, Humidity 20-85%
Weight	409 g
Length / Outer Diameter	228.5 mm
Width / Inner Diameter	228.5 mm
Thickness / Height	8 mm



ILLUMINATOR DATA-ID

BHDQ-00-200X200-1-B-24V

Optical Information				
Part Number	BHDQ-00-200X200-1-B-24V			
LED Color	BLUE			
Wavelength	(nm)	460		
Intensity (±15%)	(Lux)	4300	5750	7360 8500
Working Distance	(mm)	40	50	60 70
Illumination (number of row)	1			
Illumination Active Area				
Active Length / Outer Diameter	(mm)	200 X 200		
Active Width / Inner Diameter	(mm)	113.6 X 113.6		
Emission angle	(deg.)	0		
Eye Safety Class (IEC62471)	II			
Electrical Information				
Lighting Supply Voltage (constant voltage mode)	24V ± 2%			
Continuous Current	(mA)	600		
Power Consumption	(W)	14.4		
Lighting casing temperature, Operating after 60 minutes	°C	49.3		
Strobe Mode Specification				
Pulse Operation	YES			
Max. Lighting Supply Voltage (Constant voltage power supply)	(V)	Pulsing at 24VDC to 48VDC, 0-10% Duty Cycle, Recommended at 36VDC		
Pulse Current, (Max. 10msec) (Constant current power supply)	(mA)	1800		
Max. Trigger Pulse Duration	(msec)	10		
Duty Cycle	0-10%			
Additional Information				
Additional Cooling Method	Attached to machine part for better heat dissipation			
Intensity Controller Selection	ANG, ST, SD and SDA Series			
CE Conformity	YES			
RoHS Compliance	YES			
Connection				
Connector Type (Default):	JST SMR-03V			
Cable Length out from lighting :	(mm)	500		
Pin Configuration :		Pin	Signal	Cable Color
		1	LED +	RED
		2	N.C.	---
		3	LED -	WHITE
				
Application				
Illumination Type	Backlight Illumination			
Applicattion Use	Lead frame inspection, shape recognition, size measurement.			



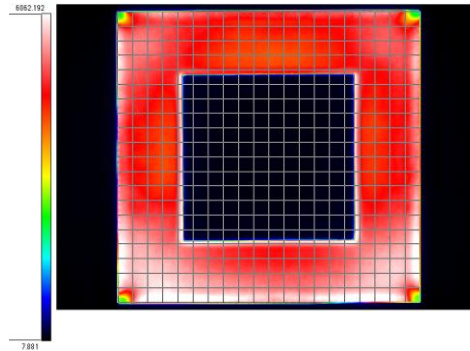
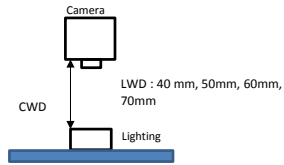
ILLUMINATOR DATA-ID

BHDQ-00-200X200-1-B-24V

Uniform Graph (Relative Irradiation Strength) - Representative pattern

Lens focal length, $f = 0\text{mm}$
CWD = 550mm
LWD = 40mm, 50mm, 60mm, 70mm
Lighting angle: 0

Tolerance %	L X W
10%	6 x 50
20%	32 x 165
30%	66 x 170
40%	194 x 176



* 1 cell = 2mm x 2mm