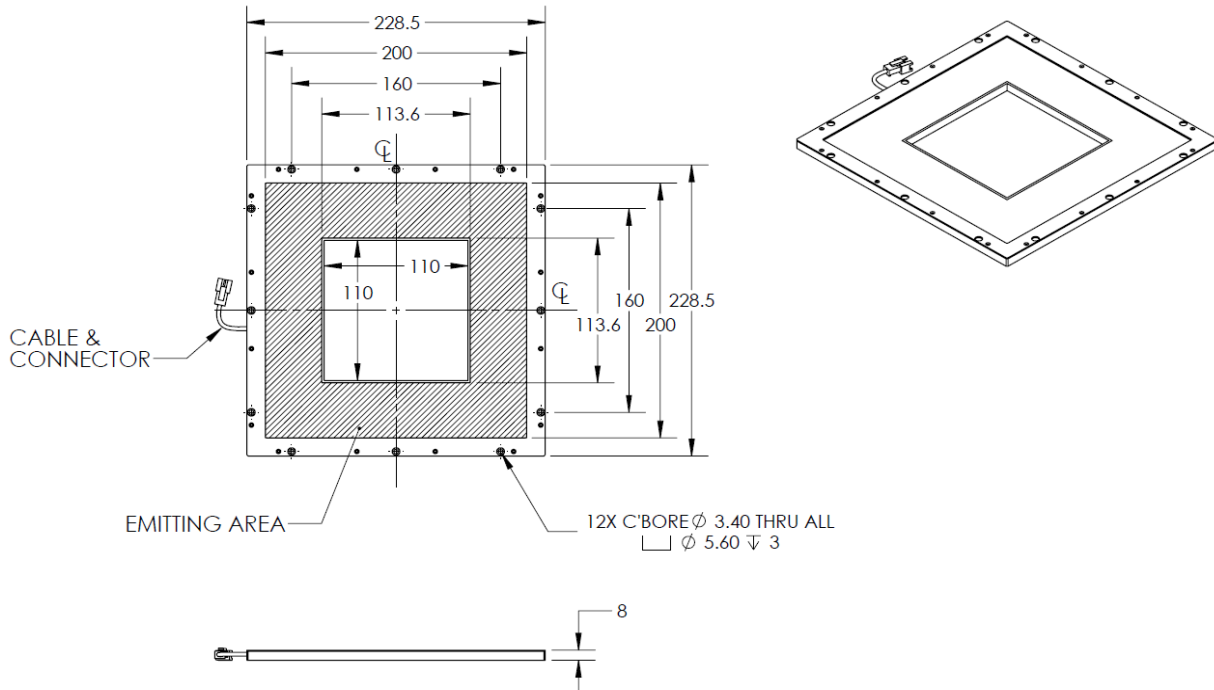




ILLUMINATOR DATA-ID

BHDQ-00-200X200-1-G-24V

Lighting Dimension




Mechanical Information	
Casing Material	Aluminium
Storage Temperature Range	Temp 0-45°C, Humidity 20-85%
Weight	409 g
Length / Outer Diameter	228.5 mm
Width / Inner Diameter	228.5 mm
Thickness / Height	8 mm



ILLUMINATOR DATA-ID

BHDQ-00-200X200-1-G-24V

Optical Information					
Part Number	BHDQ-00-200X200-1-G-24V				
LED Color	GREEN				
Wavelength	(nm)	640			
Intensity (±15%)	(Lux)	4300	5750	7360	8500
Working Distance	(mm)	40	50	60	70
Illumination (number of row)		1			
Illumination Active Area					
Active Length / Outer Diameter	(mm)	200 X 200			
Active Width / Inner Diameter	(mm)	113.6 X 113.6			
Emission angle	(deg.)	0			
Eye Safety Class (IEC62471)		EXEMPT			
Electrical Information					
Lighting Supply Voltage (constant voltage mode)		24V ± 2%			
Continuous Current	(mA)	600			
Power Consumption	(W)	14.4			
Lighting casing temperature, Operating after 60 minutes	°C	49.3			
Strobe Mode Specification					
Pulse Operation		YES			
Max. Lighting Supply Voltage (Constant voltage power supply)	(V)	Pulsing at 24VDC to 48VDC, 0-10% Duty Cycle, Recommended at 36VDC			
Pulse Current, (Max. 10msec) (Constant current power supply)	(mA)	1800			
Max. Trigger Pulse Duration	(msec)	10			
Duty Cycle		0-10%			
Additional Information					
Additional Cooling Method		Attached to machine part for better heat dissipation			
Intensity Controller Selection		ANG, ST, SD and SDA Series			
CE Conformity		YES			
RoHS Compliance		YES			
Connection					
Connector Type (Default):		JST SMR-03V			
Cable Length out from lighting :	(mm)	500			
Pin Configuration :		Pin	Signal	Cable Color	
		1	LED +	RED	
		2	N.C.	---	
		3	LED -	WHITE	
					
Application					
Illumination Type		Backlight Illumination			
Applicattion Use		Lead frame inspection, shape recognition, size measurement.			



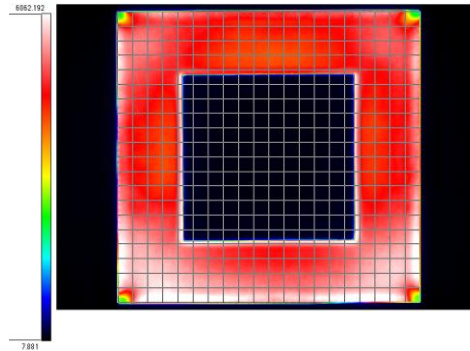
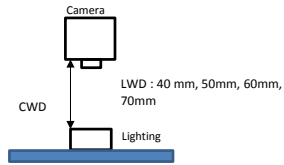
ILLUMINATOR DATA-ID

BHDQ-00-200X200-1-G-24V

Uniform Graph (Relative Irradiation Strength) - Representative pattern

Lens focal length, $f = 0\text{mm}$
CWD = 550mm
LWD = 40mm, 50mm, 60mm, 70mm
Lighting angle: 0

Tolerance %	L X W
10%	6 x 50
20%	32 x 165
30%	66 x 170
40%	194 x 176



* 1 cell = 2mm x 2mm