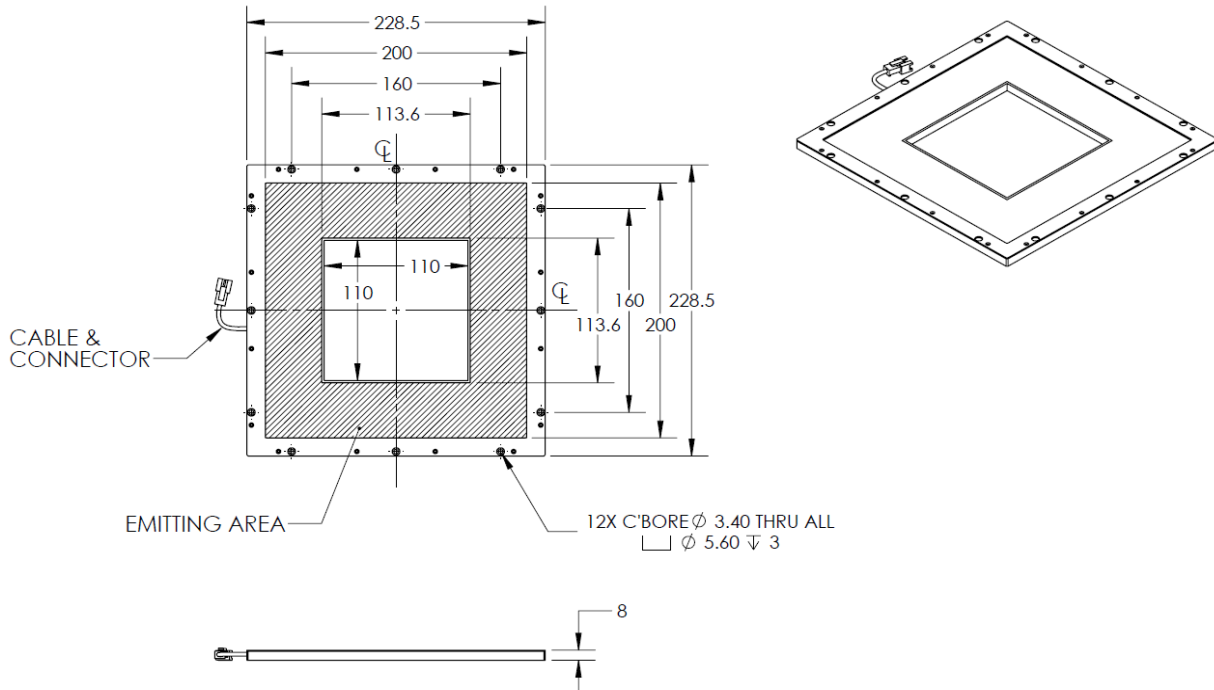




# ILLUMINATOR DATA-ID

## BHDQ-00-200X200-1-W-24V

### Lighting Dimension




Mechanical Information	
Casing Material	Aluminium
Storage Temperature Range	Temp 0-45°C, Humidity 20-85%
Weight	409 g
Length / Outer Diameter	228.5 mm
Width / Inner Diameter	228.5 mm
Thickness / Height	8 mm



# ILLUMINATOR DATA-ID

## BHDQ-00-200X200-1-W-24V

Optical Information																									
Part Number		BHDQ-00-200X200-1-W-24V																							
LED Color		WHITE																							
Wavelength	(nm)	* Refer to the Chromaticity Table Below																							
Intensity (±15%)	(Lux)	4300	5750	7360	8500																				
Working Distance	(mm)	40	50	60	70																				
Illumination (number of row)		1																							
Illumination Active Area																									
Active Length / Outer Diameter	(mm)	200 X 200																							
Active Width / Inner Diameter	(mm)	113.6 X 113.6																							
Emission angle	(deg.)	0																							
Eye Safety Class ( IEC62471 )		EXEMPT																							
*CHROMATICITY TABLE		<table border="1"> <tr> <td>X</td> <td>0.296</td> <td>0.287</td> <td>0.307</td> <td>0.311</td> <td>X</td> <td>0.311</td> <td>0.307</td> <td>0.33</td> <td>0.33</td> </tr> <tr> <td>Y</td> <td>0.276</td> <td>0.295</td> <td>0.315</td> <td>0.294</td> <td>Y</td> <td>0.294</td> <td>0.315</td> <td>0.339</td> <td>0.318</td> </tr> </table>				X	0.296	0.287	0.307	0.311	X	0.311	0.307	0.33	0.33	Y	0.276	0.295	0.315	0.294	Y	0.294	0.315	0.339	0.318
X	0.296	0.287	0.307	0.311	X	0.311	0.307	0.33	0.33																
Y	0.276	0.295	0.315	0.294	Y	0.294	0.315	0.339	0.318																
Electrical Information																									
Lighting Supply Voltage (constant voltage mode)		24V ± 2%																							
Continuous Current	(mA)	600																							
Power Consumption	(W)	14.4																							
Lighting casing temperature, Operating after 60 minutes	°C	49.3																							
Strobe Mode Specification																									
Pulse Operation		YES																							
Max. Lighting Supply Voltage (Constant voltage power supply)	(V)	Pulsing at 24VDC to 48VDC, 0-10% Duty Cycle, Recommended at 36VDC																							
Pulse Current, (Max. 10msec) (Constant current power supply)	(mA)	1800																							
Max. Trigger Pulse Duration	(msec)	10																							
Duty Cycle		0-10%																							
Additional Information																									
Additional Cooling Method		Attached to machine part for better heat dissipation																							
Intensity Controller Selection		ANG, ST, SD and SDA Series																							
CE Conformity		YES																							
RoHS Compliance		YES																							
Connection																									
Connector Type (Default):		JST SMR-03V																							
Cable Length out from lighting :	(mm)	500																							
Pin Configuration :		Pin	Signal	Cable Color																					
		1	LED +	RED																					
		2	N.C.	---																					
		3	LED -	WHITE																					
																									
Application																									
Illumination Type		Backlight Illumination																							
Applicattion Use		Lead frame inspection, shape recognition, size measurement.																							



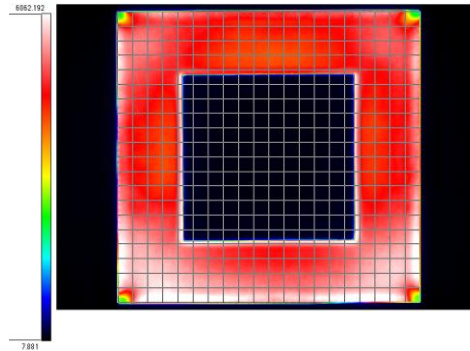
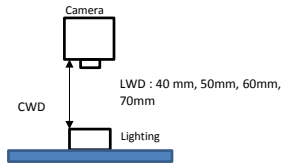
# ILLUMINATOR DATA-ID

## BHDQ-00-200X200-1-W-24V

Uniform Graph ( Relative Irradiation Strength) - Representative pattern

Lens focal length,  $f = 0\text{mm}$   
CWD = 550mm  
LWD = 40mm, 50mm, 60mm, 70mm  
Lighting angle: 0

Tolerance %	L X W
10%	6 x 50
20%	32 x 165
30%	66 x 170
40%	194 x 176



\* 1 cell = 2mm x 2mm