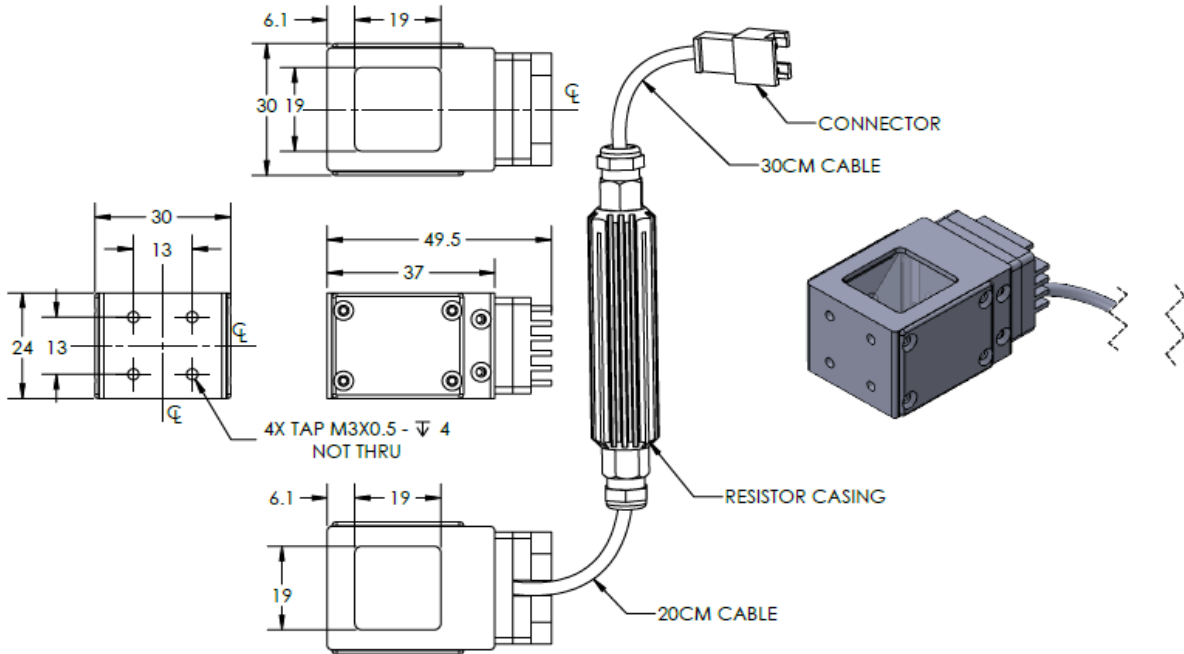




ILLUMINATOR DATA-ID

CASC-00-015-X-R-24V

Lighting Dimension




Mechanical Information	
Casing Material	Aluminium
Storage Temperature Range	Temp 0-45°C, Humidity 20-85%
Weight	100 g
Length / Outer Diameter	49.5 mm
Width / Inner Diameter	30 mm
Thickness / Height	24 mm



ILLUMINATOR DATA-ID

CASC-00-015-X-R-24V

Optical Information					
Part Number		CASC-00-015-X-R-24V			
LED Color		RED			
Wavelength	(nm)	630			
Intensity (±15%)	(Lux)	2140	1200	779	464
Working Distance	(mm)	10	20	30	40
Illumination (number of row)		X			
Illumination Active Area					
Active Length / Outer Diameter	(mm)	19			
Active Width / Inner Diameter	(mm)	19			
Emission angle	(deg.)	0			
Eye Safety Class (IEC62471)		EXEMPT			
Electrical Information					
Lighting Supply Voltage (constant voltage mode)		24V ± 2%			
Continuous Current	(mA)	70			
Power Consumption	(W)	1.68			
Lighting casing temperature, Operating after 60 minutes	°C	62			
Strobe Mode Specification					
Pulse Operation		YES			
Max. Lighting Supply Voltage (Constant voltage power supply)	(V)	Pulsing at 24VDC to 48VDC, 0-10% Duty Cycle, Recommended at 36VDC			
Pulse Current, (Max. 10msec) (Constant current power supply)	(mA)	210			
Max. Trigger Pulse Duration	(msec)	10			
Duty Cycle		0-10%			
Additional Information					
Additional Cooling Method		Attached to machine part for better heat dissipation			
Intensity Controller Selection		ANG, ST, SD and SDA Series			
CE Conformity		YES			
RoHS Compliance		YES			
Connection					
Connector Type (Default):		JST SMR-03V			
Cable Length out from lighting :	(mm)	500			
Pin Configuration :		Pin	Signal	Cable Color	
		1	LED +	RED	
		2	N.C.	---	
		3	LED -	WHITE	
					
Application					
Illumination Type		Coaxial Illumination			
Applicattion Use		Surface inspection and alignment, wafer, metal surface, film, LCD and glass, pattern on PCB.			



ILLUMINATOR DATA-ID

CASC-00-015-X-R-24V

