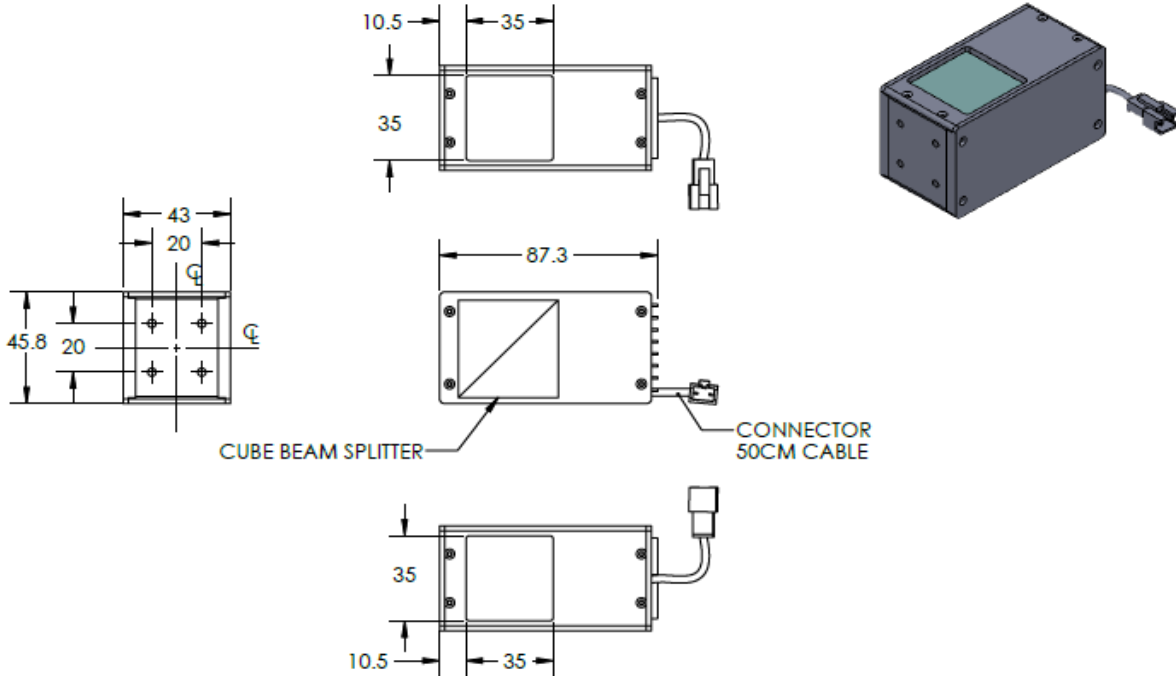




ILLUMINATOR DATA-ID

CASC-00-035-X-B-24V

Lighting Dimension




Mechanical Information	
Casing Material	Aluminium
Storage Temperature Range	Temp 0-45°C, Humidity 20-85%
Weight	318 g
Length / Outer Diameter	87.3 mm
Width / Inner Diameter	43 mm
Thickness / Height	45.8 mm



ILLUMINATOR DATA-ID

CASC-00-035-X-B-24V

Optical Information					
Part Number		CASC-00-035-X-B-24V			
LED Color		BLUE			
Wavelength	(nm)	470			
Intensity (±15%)	(Lux)	5050	3520	2530	1920
Working Distance	(mm)	20	30	40	50
Illumination (number of row)		X			
Illumination Active Area					
Active Length / Outer Diameter	(mm)	35			
Active Width / Inner Diameter	(mm)	35			
Emission angle	(deg.)	0			
Eye Safety Class (IEC62471)		II			
Electrical Information					
Lighting Supply Voltage (constant voltage mode)		24V ± 2%			
Continuous Current	(mA)	288			
Power Consumption	(W)	6.912			
Lighting casing temperature, Operating after 60 minutes	°C	63			
Strobe Mode Specification					
Pulse Operation		YES			
Max. Lighting Supply Voltage (Constant voltage power supply)	(V)	Pulsing at 24VDC to 48VDC, 0-10% Duty Cycle, Recommended at 36VDC			
Pulse Current, (Max. 10msec) (Constant current power supply)	(mA)	864			
Max. Trigger Pulse Duration	(msec)	10			
Duty Cycle		0-10%			
Additional Information					
Additional Cooling Method		Attached to machine part for better heat dissipation			
Intensity Controller Selection		ANG, ST, SD and SDA Series			
CE Conformity		YES			
RoHS Compliance		YES			
Connection					
Connector Type (Default):		JST SMR-03V			
Cable Length out from lighting :	(mm)	500			
Pin Configuration :		Pin	Signal	Cable Color	
		1	LED +	RED	
		2	N.C.	---	
		3	LED -	WHITE	
					
Application					
Illumination Type		Coaxial Illumination			
Applicattion Use		Surface inspection and alignment, wafer, metal surface, film, LCD and glass, pattern on PCB.			



ILLUMINATOR DATA-ID

CASC-00-035-X-B-24V

