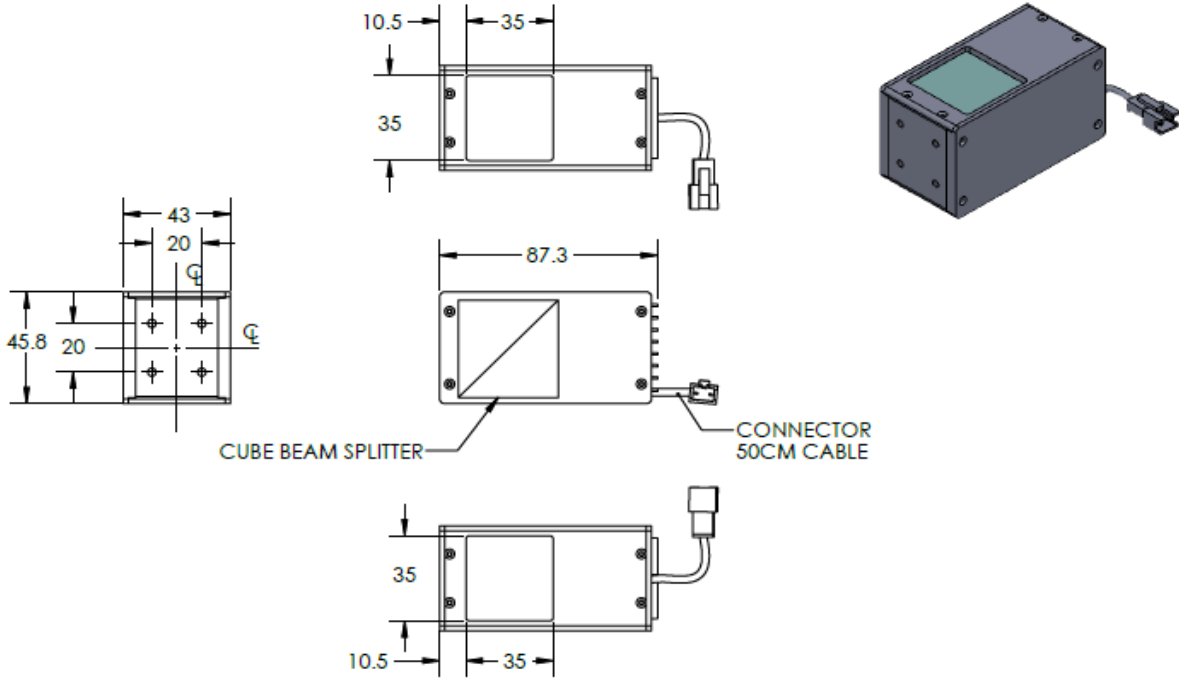




# ILLUMINATOR DATA-ID

## CASC-00-035-X-R-24V

### Lighting Dimension




Mechanical Information	
Casing Material	Aluminium
Storage Temperature Range	Temp 0-45°C, Humidity 20-85%
Weight	318 g
Length / Outer Diameter	87.3 mm
Width / Inner Diameter	43 mm
Thickness / Height	45.8 mm



# ILLUMINATOR DATA-ID

## CASC-00-035-X-R-24V

Optical Information				
Part Number	CASC-00-035-X-R-24V			
LED Color	RED			
Wavelength	(nm)	630		
Intensity (±15%)	(Lux)	1868	6060	965 747
Working Distance	(mm)	20	30	40 50
Illumination (number of row)	X			
Illumination Active Area				
Active Length / Outer Diameter	(mm)	35		
Active Width / Inner Diameter	(mm)	35		
Emission angle	(deg.)	0		
Eye Safety Class ( IEC62471 )	EXEMPT			
Electrical Information				
Lighting Supply Voltage (constant voltage mode)	24V ± 2%			
Continuous Current	(mA)	276		
Power Consumption	(W)	6.624		
Lighting casing temperature, Operating after 60 minutes	°C	63		
Strobe Mode Specification				
Pulse Operation	YES			
Max. Lighting Supply Voltage (Constant voltage power supply)	(V)	Pulsing at 24VDC to 48VDC, 0-10% Duty Cycle, Recommended at 36VDC		
Pulse Current, (Max. 10msec) (Constant current power supply)	(mA)	828		
Max. Trigger Pulse Duration	(msec)	10		
Duty Cycle	0-10%			
Additional Information				
Additional Cooling Method	Attached to machine part for better heat dissipation			
Intensity Controller Selection	ANG, ST, SD and SDA Series			
CE Conformity	YES			
RoHS Compliance	YES			
Connection				
Connector Type (Default):	JST SMR-03V			
Cable Length out from lighting :	(mm)	500		
Pin Configuration :		Pin	Signal	Cable Color
		1	LED +	RED
		2	N.C.	---
		3	LED -	WHITE
				
Application				
Illumination Type	Coaxial Illumination			
Applicattion Use	Surface inspection and alignment, wafer, metal surface, film, LCD and glass, pattern on PCB.			



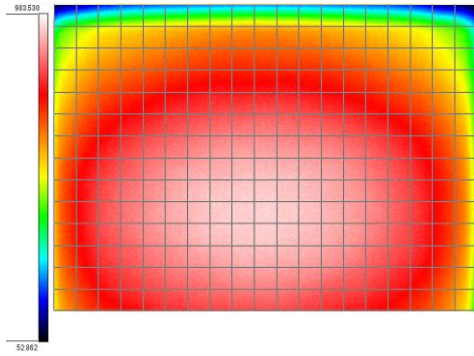
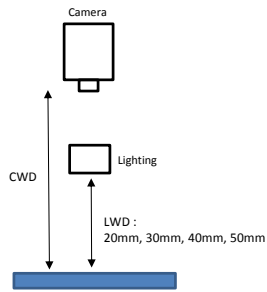
# ILLUMINATOR DATA-ID

## CASC-00-035-X-R-24V

Uniform Graph ( Relative Irradiation Strength) - Representative pattern

Lens focal length,  $f = 0.253$   
CWD = 101mm  
LWD = 20mm, 30mm, 40mm, 50mm  
Lighting angle: 0

Tolerance %	L X W
10%	13 X 10
20%	28 X 19
30%	34 X 23
40%	36 X 26



\* 1 cell = 2x2mm