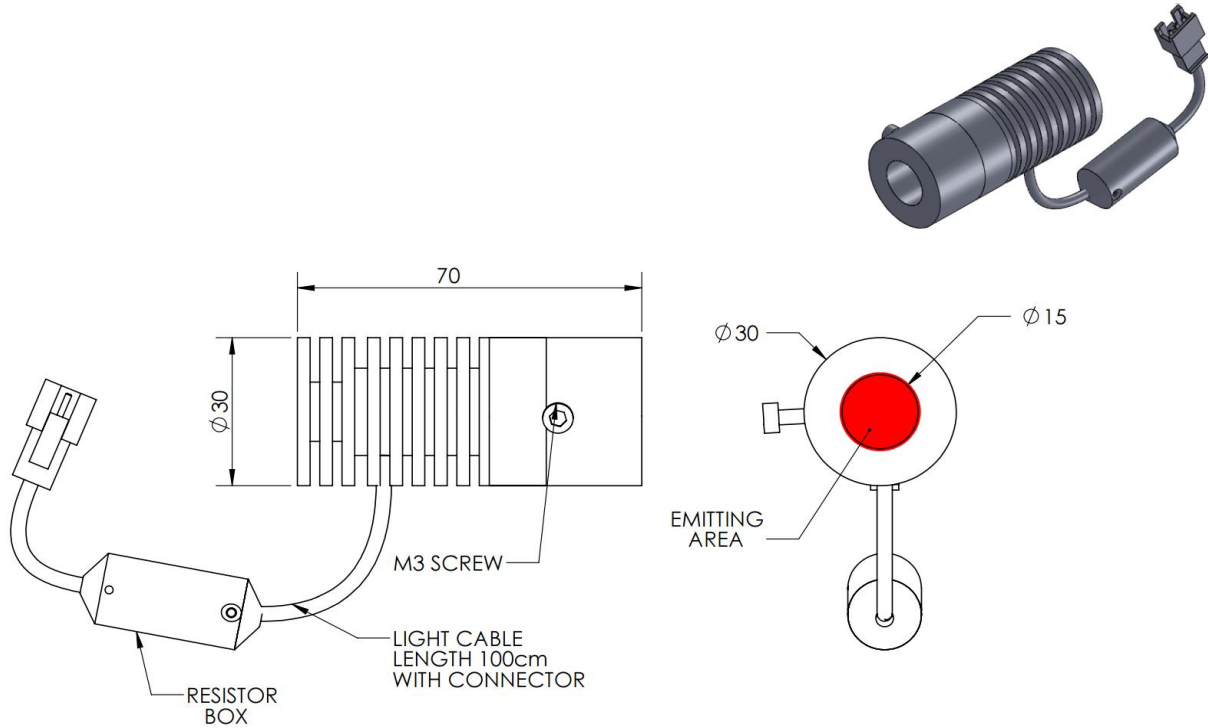




# ILLUMINATOR DATA-ID

## HBF-00-16-1-G-5V

### Lighting Dimension




Mechanical Information	
Casing Material	Aluminium
Storage Temperature Range	Temp 0 - 45°C, Humidity 20-85%
Weight	120 g
Length / Outer Diameter	30 mm
Width / Inner Diameter	15 mm
Thickness / Height	30 mm



# ILLUMINATOR DATA-ID

## HBF-00-16-1-G-5V

Optical Information				
Part Number	HBF-00-16-1-G-5V			
LED Color	GREEN			
Wavelength	(nm)	525		
Intensity (±15%)	(Lux)	2570	2060 1730	
Working Distance	(mm)	50	60 70	
Illumination (number of row)	1			
Illumination Active Area				
Active Length / Outer Diameter	(mm)	15		
Active Width / Inner Diameter	(mm)	-		
Emission angle	(deg.)	0		
Eye Safety Class ( IEC62471 )	EXEMPT			
Electrical Information				
Lighting Supply Voltage (constant voltage mode)	5V ± 2%			
Continuous Current	(mA)	600		
Power Consumption	(W)	14.38		
Lighting casing temperature, Operating after 60 minutes	°C	56.5		
Strobe Mode Specification				
Pulse Operation	YES			
Max. Lighting Supply Voltage (Constant voltage power supply)	(V)	Pulsing at 5VDC to 10VDC, 0-10% Duty Cycle, Recommended at 8VDC		
Pulse Current, (Max. 10msec) (Constant current power supply)	(mA)	1800		
Max. Trigger Pulse Duration	(msec)	10		
Duty Cycle	0-10%			
Additional Information				
Additional Cooling Method	Attached to machine part for better heat dissipation			
Intensity Controller Selection	ANG, ST, SD and SDA Series			
CE Conformity	YES			
RoHS Compliance	YES			
Connection				
Connector Type (Default):	JST SMR-03V			
Cable Length out from lighting :	(mm)	500		
Pin Configuration :		Pin	Signal	Cable Color
		1	N.C.	---
		2	LED +	RED
		3	LED -	WHITE
				
Application				
Illumination Type	Spot Light Illumination			
Appicattion Use	Use in macro Lenses inspection, spot light			