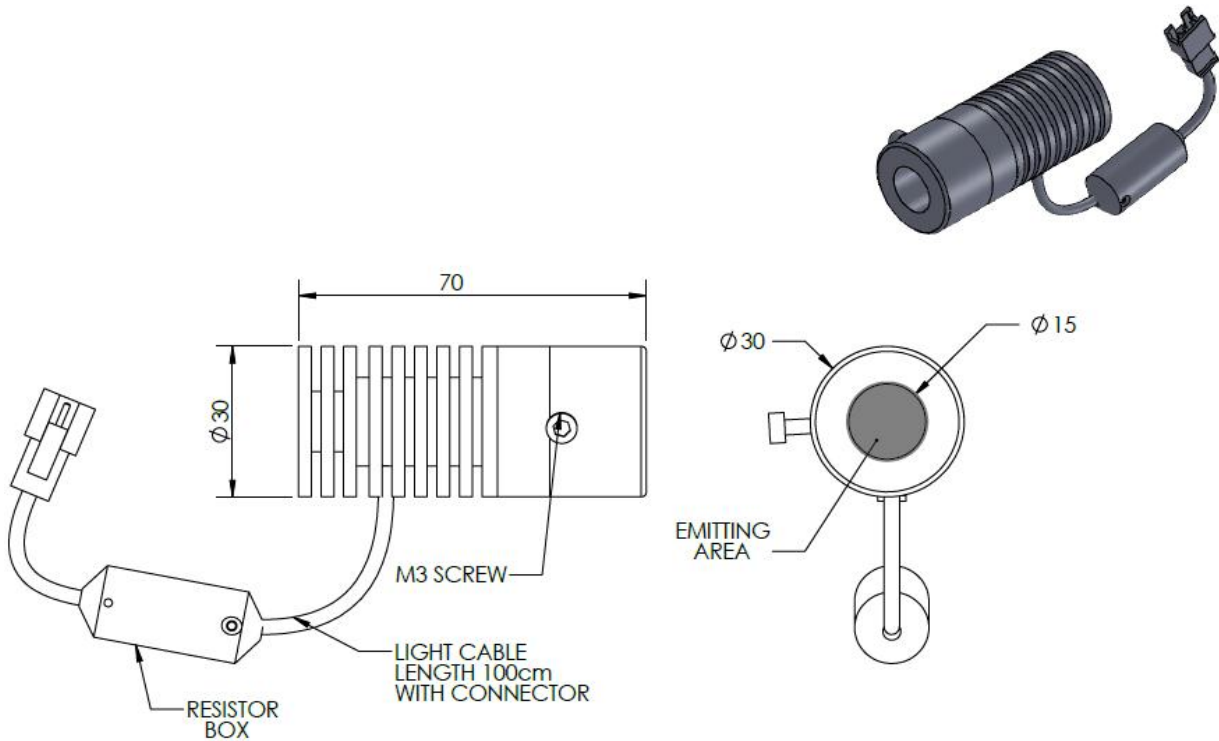




# ILLUMINATOR DATA-ID

## HBF-00-16-1-W-24V

### Lighting Dimension




Mechanical Information	
Casing Material	Aluminium
Storage Temperature Range	Temp 0-°C, Humidity 20-85%
Weight	120 g
Length / Outer Diameter	30 mm
Width / Inner Diameter	15 mm
Thickness / Height	70 mm



# ILLUMINATOR DATA-ID

## HBF-00-16-1-W-24V

Optical Information		HBF-00-16-1-W-24V																							
Part Number		HBF-00-16-1-W-24V																							
LED Color		WHITE																							
Wavelength	(nm)	* Refer to the Chromaticity Table Below																							
Intensity (±15%)	(Lux)	42500	31600	25000																					
Working Distance	(mm)	50	60	70																					
Illumination (number of row)		1																							
Illumination Active Area																									
Active Length / Outer Diameter	(mm)	15																							
Active Width / Inner Diameter	(mm)	-																							
Emission angle	(deg.)	0																							
Eye Safety Class ( IEC62471 )		EXEMPT																							
*CHROMATICITY TABLE		<table border="1"> <tr> <td>X</td> <td>0.296</td> <td>0.287</td> <td>0.307</td> <td>0.311</td> <td>X</td> <td>0.311</td> <td>0.307</td> <td>0.33</td> <td>0.33</td> </tr> <tr> <td>Y</td> <td>0.276</td> <td>0.295</td> <td>0.315</td> <td>0.294</td> <td>Y</td> <td>0.294</td> <td>0.315</td> <td>0.339</td> <td>0.318</td> </tr> </table>				X	0.296	0.287	0.307	0.311	X	0.311	0.307	0.33	0.33	Y	0.276	0.295	0.315	0.294	Y	0.294	0.315	0.339	0.318
X	0.296	0.287	0.307	0.311	X	0.311	0.307	0.33	0.33																
Y	0.276	0.295	0.315	0.294	Y	0.294	0.315	0.339	0.318																
Electrical Information																									
Lighting Supply Voltage (constant voltage mode)		24V ± 2%																							
Continuous Current	(mA)	100																							
Power Consumption	(W)	2.4																							
Lighting casing temperature, Operating after 60 minutes	°C	55.1																							
Strobe Mode Specification																									
Pulse Operation		YES																							
Max. Lighting Supply Voltage (Constant voltage power supply)	(V)	Pulsing at 24VDC to 48VDC, 0-10% Duty Cycle, Recommended at 36VDC																							
Pulse Current, (Max. 10msec) (Constant current power supply)	(mA)	300																							
Max. Trigger Pulse Duration	(msec)	10																							
Duty Cycle		0-10%																							
Additional Information																									
Additional Cooling Method		Attached to machine part for better heat dissipation																							
Intensity Controller Selection		ANG, ST, SD and SDA Series																							
CE Conformity		YES																							
RoHS Compliance		YES																							
Connection																									
Connector Type (Default):		JST SMR-03V																							
Cable Length out from lighting :	(mm)	500																							
Pin Configuration :		Pin	Signal	Cable Color																					
		1	LED +	RED																					
		2	N.C.	---																					
		3	LED -	WHITE																					
																									
Application																									
Illumination Type		Spot Light Illumination																							
Appicattion Use		In macro lenses inspection, spot light.																							



# ILLUMINATOR DATA-ID

## HBF-00-16-1-W-24V

### Uniform Graph (Relative Irradiation Strength) - Representative pattern

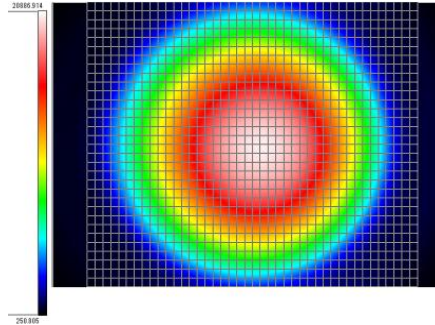
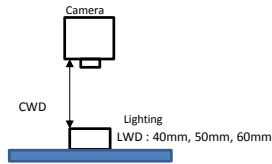
Lens focal length,  $f = 35\text{mm}$

CWD = 178mm

LWD = 40mm, 50mm, 60mm

Lighting angle:  $0^\circ$

Tolerance %	L X W
10%	13 X 25
20%	17 X 27
30%	20 X 30
40%	23 X 32



\* 1 cell = 2mm x 2mm