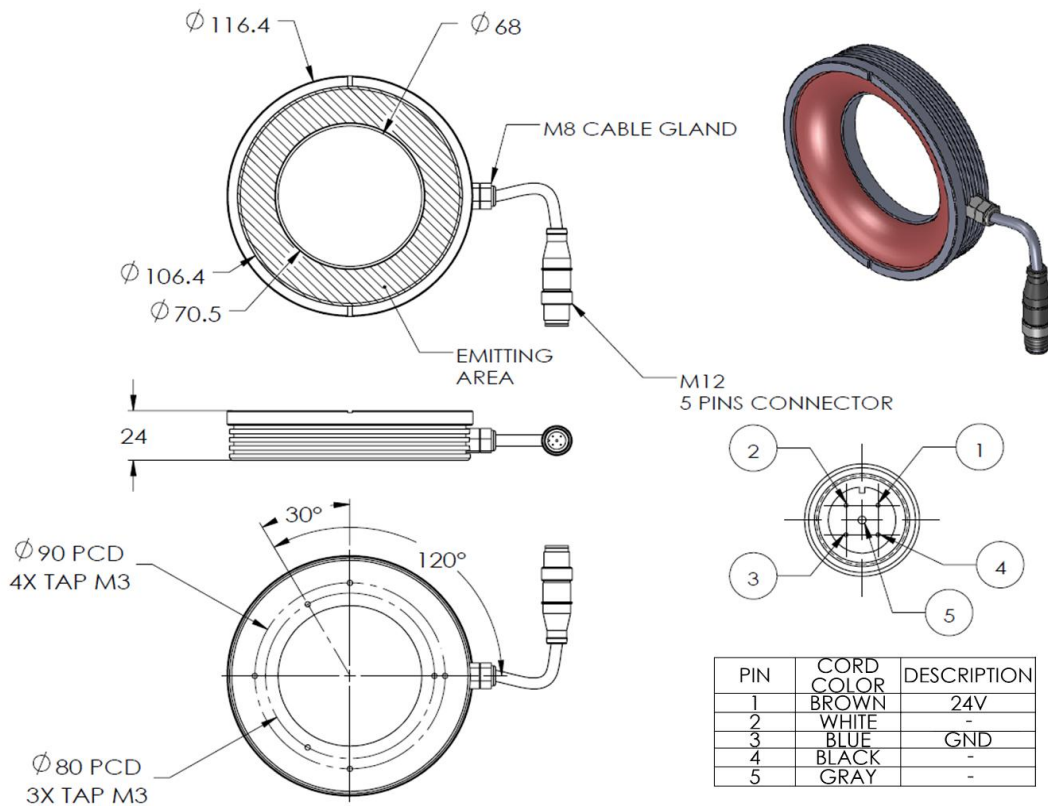




ILLUMINATOR DATA-ID

HPDP-00-110-2-B-24V

Lighting Dimension



| Mechanical Information | |
|---------------------------|--------------------------------|
| Casing Material | Aluminium |
| Storage Temperature Range | Temp 0 - 45°C, Humidity 20-85% |
| Weight | 200 g |
| Length / Outer Diameter | 116.4 mm |
| Width / Inner Diameter | 68 mm |
| Thickness / Height | 24 mm |



ILLUMINATOR DATA-ID

HPDP-00-110-2-B-24V

| Optical Information | | | | |
|--|--------|---|--------|--------------|
| Part Number | | HPDP-00-110-2-B-24V | | |
| LED Color | | BLUE | | |
| Wavelength | (nm) | 470 | | |
| Intensity (±15%) | (Lux) | 10690 | 10230 | 8980 |
| Working Distance | (mm) | 30 | 40 | 50 |
| Illumination (number of row) | | 2 | | |
| Illumination Active Area | | | | |
| Active Length / Outer Diameter | (mm) | 70.5 | | |
| Active Width / Inner Diameter | (mm) | 106.4 | | |
| Emission angle | (deg.) | 0 | | |
| Eye Safety Class (IEC62471) | | II | | |
| Electrical Information | | | | |
| Lighting Supply Voltage (constant voltage mode) | | 24V ± 2% | | |
| Continuous Current | (mA) | 182 | | |
| Power Consumption | (W) | 4.37 | | |
| Lighting casing temperature, Operating after 60 minutes | °C | 51.2 | | |
| Strobe Mode Specification | | | | |
| Pulse Operation | | YES | | |
| Max. Lighting Supply Voltage (Constant voltage power supply) | (V) | Pulsing at 24VDC to 48VDC, 0-10% Duty Cycle, Recommended at 36VDC | | |
| Pulse Current, (Max. 10msec) (Constant current power supply) | (mA) | 546 | | |
| Max. Trigger Pulse Duration | (msec) | 10 | | |
| Duty Cycle | | 0-10% | | |
| Additional Information | | | | |
| Additional Cooling Method | | Attached to machine part for better heat dissipation | | |
| Intensity Controller Selection | | ANG, ST, SD and SDA Series | | |
| CE Conformity | | YES | | |
| RoHS Compliance | | YES | | |
| Connection | | | | |
| Connector Type (default) | | M12 5 PIN CONNECTOR (MALE) | | |
| Cable Length (out from lighting) | (mm) | 700 | | |
| Pin Configuration | | Pin | Signal | Cable Colour |
| | | 1 | 24V | BROWN |
| | | 2 | - | WHITE |
| | | 3 | GND | BLUE |
| | | 4 | - | BLACK |
| | | 5 | - | GRAY |
| | | | | |
| Extension Cable | | | | |
| Connector Type (default) | | M12 5 PIN CONNECTOR (FEMALE) | | |
| Part Number | | EXT-FL-M12F-3M-24V | | |
| Cable Length (out from female connector) | (mm) | 3000 | | |
| Extension Cable (connect to M12 5 Pin Male Connector from lighting) | | | | |
| Application | | | | |
| Illumination Type | | Ingress Protection Illumination | | |
| Appicattion Use | | Shining surface and food packaging. | | |