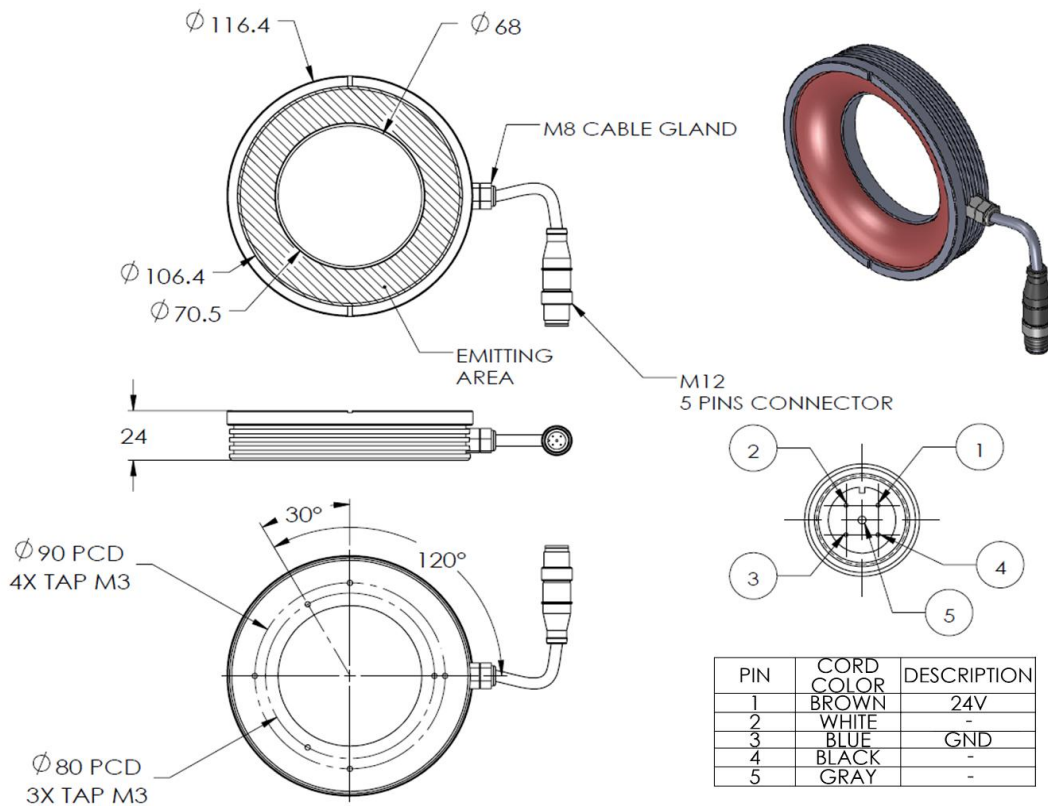




ILLUMINATOR DATA-ID

HPDP-00-110-2-W-24V

Lighting Dimension



Mechanical Information	
Casing Material	Aluminium
Storage Temperature Range	Temp 0 - 45°C, Humidity 20-85%
Weight	200 g
Length / Outer Diameter	116.4 mm
Width / Inner Diameter	68 mm
Thickness / Height	24 mm



ILLUMINATOR DATA-ID

HPDP-00-110-2-W-24V

Optical Information																									
Part Number		HPDP-00-110-2-W-24V																							
LED Color		WHITE																							
Wavelength	(nm)	* Refer to the Chromaticity Table Below																							
Intensity (±15%)	(Lux)	11820	11240	9620																					
Working Distance	(mm)	30	40	50																					
Illumination (number of row)		2																							
Illumination Active Area																									
Active Length / Outer Diameter	(mm)	70.5																							
Active Width / Inner Diameter	(mm)	106.4																							
Emission angle	(deg.)	0																							
Eye Safety Class (IEC62471)		EXEMPT																							
*CHROMATICITY TABLE		<table border="1"> <tr> <td>X</td> <td>0.296</td> <td>0.287</td> <td>0.307</td> <td>0.311</td> <td>X</td> <td>0.311</td> <td>0.307</td> <td>0.33</td> <td>0.33</td> </tr> <tr> <td>Y</td> <td>0.276</td> <td>0.295</td> <td>0.315</td> <td>0.294</td> <td>Y</td> <td>0.294</td> <td>0.315</td> <td>0.339</td> <td>0.318</td> </tr> </table>				X	0.296	0.287	0.307	0.311	X	0.311	0.307	0.33	0.33	Y	0.276	0.295	0.315	0.294	Y	0.294	0.315	0.339	0.318
X	0.296	0.287	0.307	0.311	X	0.311	0.307	0.33	0.33																
Y	0.276	0.295	0.315	0.294	Y	0.294	0.315	0.339	0.318																
Electrical Information																									
Lighting Supply Voltage (constant voltage mode)		24V ± 2%																							
Continuous Current	(mA)	182																							
Power Consumption	(W)	4.37																							
Lighting casing temperature, Operating after 60 minutes	°C	50.3																							
Strobe Mode Specification																									
Pulse Operation		YES																							
Max. Lighting Supply Voltage (Constant voltage power supply)	(V)	Pulsing at 24VDC to 48VDC, 0-10% Duty Cycle, Recommended at 36VDC																							
Pulse Current, (Max. 10msec) (Constant current power supply)	(mA)	270																							
Max. Trigger Pulse Duration	(msec)	10																							
Duty Cycle		0-10%																							
Additional Information																									
Additional Cooling Method		Attached to machine part for better heat dissipation																							
Intensity Controller Selection		ANG, ST, SD and SDA Series																							
CE Conformity		YES																							
RoHS Compliance		YES																							
Connection																									
Connector Type (default)		M12 5 PIN CONNECTOR (MALE)																							
Cable Length (out from lighting)	(mm)	700																							
Pin Configuration		Pin	Signal	Cable Colour																					
		1	24V	BROWN																					
		2	-	WHITE																					
		3	GND	BLUE																					
		4	-	BLACK																					
		5	-	GRAY																					
Extension Cable																									
Connector Type (default)		M12 5 PIN CONNECTOR (FEMALE)																							
Part Number		EXT-FL-M12F-3M-24V																							
Cable Length (out from female connector)	(mm)	3000																							
Extension Cable (connect to M12 5 Pin Male Connector from lighting)																									
Application																									
Illumination Type		Ingress Protection Illumination																							
Applicattion Use		Shining surface and food packaging.																							