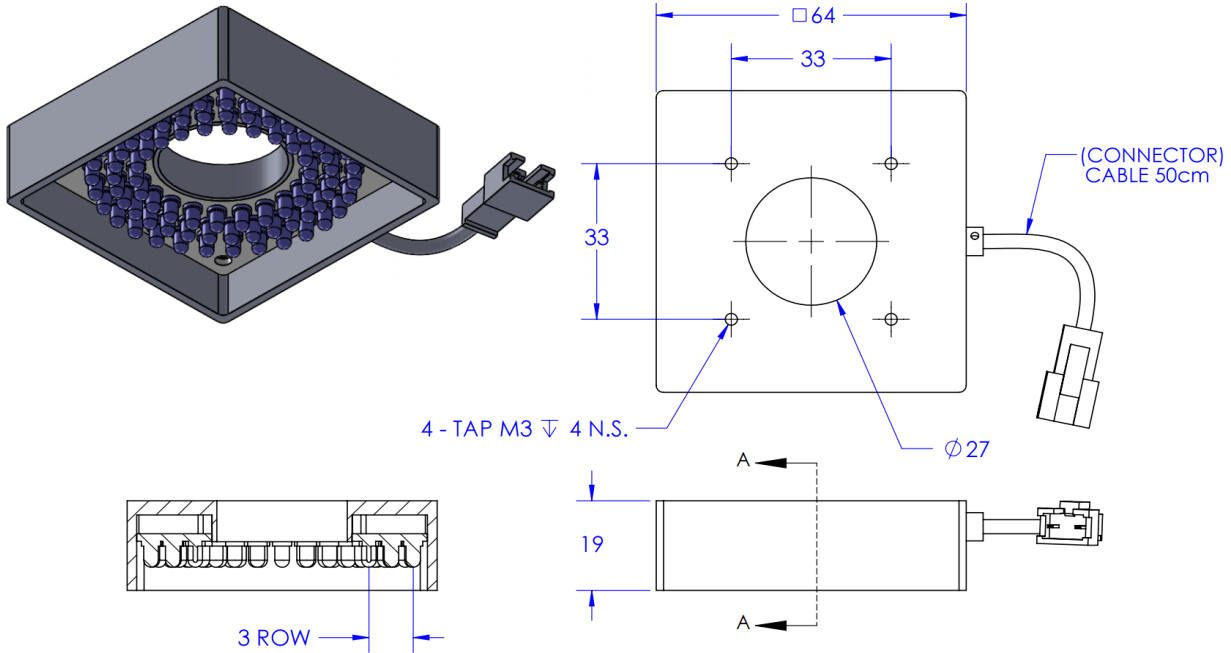




ILLUMINATOR DATA-ID

LSQ-00-060-3-B-24V

Lighting Dimension




Mechanical Information	
Casing Material	Aluminium
Storage Temperature Range	Temp 0 - 45°C, Humidity 20-85%
Weight	110 g
Length / Outer Diameter	64 mm
Width / Inner Diameter	27 mm
Thickness / Height	19 mm



ILLUMINATOR DATA-ID

LSQ-00-060-3-B-24V

Optical Information				
Part Number		LSQ-00-060-3-B-24V		
LED Color		BLUE		
Wavelength	(nm)	470		
Intensity (±15%)	(Lux)	TBA	TBA	TBA
Working Distance	(mm)	68	78	88
Illumination (number of row)		3		
Illumination Active Area				
Active Length / Outer Diameter	(mm)	60		
Active Width / Inner Diameter	(mm)	29		
Emission angle	(deg.)	0		
Eye Safety Class (IEC62471)		II		
Electrical Information				
Lighting Supply Voltage (constant voltage mode)		24V ± 2%		
Continuous Current	(mA)	180		
Power Consumption	(W)	4.32		
Lighting casing temperature, Operating after 60 minutes	°C	TBA		
Strobe Mode Specification				
Pulse Operation		YES		
Max. Lighting Supply Voltage (Constant voltage power supply)	(V)	Pulsing at 24VDC to 48VDC, 0-10% Duty Cycle, Recommended at 36VDC		
Pulse Current, (Max. 10msec) (Constant current power supply)	(mA)	540		
Max. Trigger Pulse Duration	(msec)	10		
Duty Cycle		0-10%		
Additional Information				
Additional Cooling Method		Attached to machine part for better heat dissipation		
Intensity Controller Selection		ANG, ST, SD and SDA Series		
CE Conformity		YES		
RoHS Compliance		YES		
Connection				
Connector Type (Default):		JST SMR-03V		
Cable Length out from lighting :	(mm)	500		
Pin Configuration :		Pin	Signal	Cable Color
		1	LED +	RED
		2	N.C.	---
		3	LED -	WHITE
				
Application				
Illumination Type		Direct Illumination		
Applicattion Use		Substrate inspection, label inspection, flat surface, fiducially recognition.		