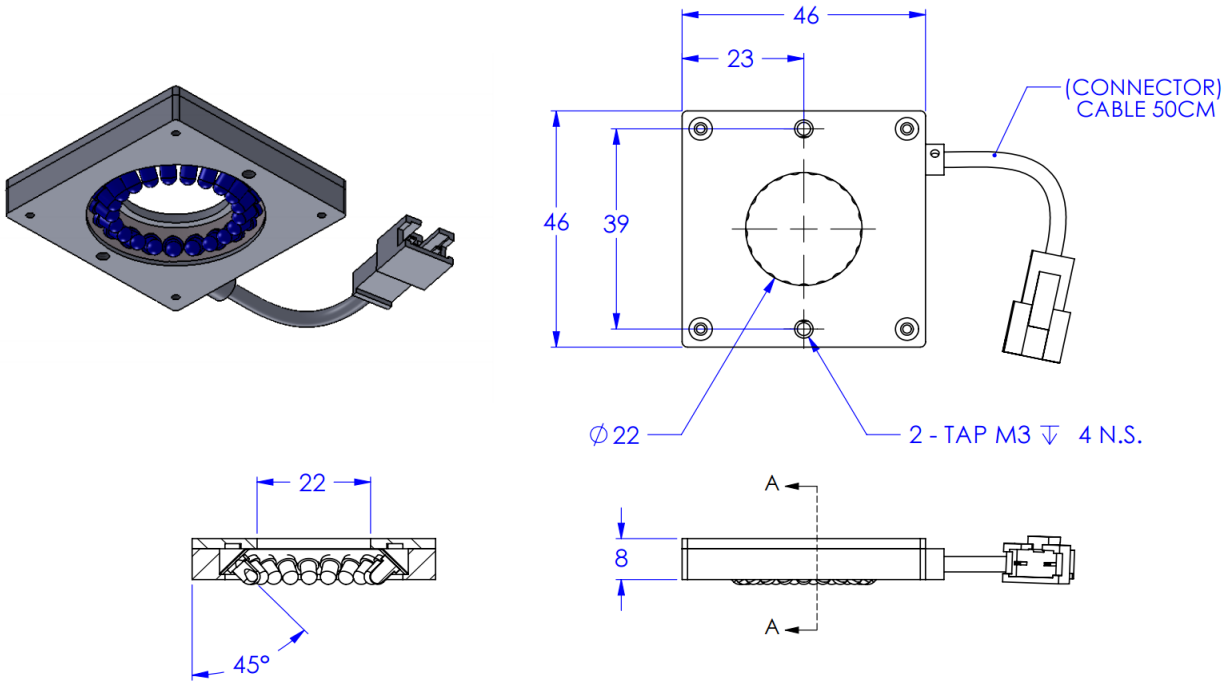




ILLUMINATOR DATA-ID

LSQ-45-040-1-B-24V

Lighting Dimension




Mechanical Information	
Casing Material	Aluminium
Storage Temperature Range	Temp 0 - 45°C, Humidity 20-85%
Weight	40 g
Length / Outer Diameter	46 mm
Width / Inner Diameter	22 mm
Thickness / Height	8 mm



ILLUMINATOR DATA-ID

LSQ-45-040-1-B-24V

Optical Information			
Part Number	LSQ-45-040-1-B-24V		
LED Color	BLUE		
Wavelength (nm)	470		
Intensity (±15%) (Lux)	163016	150236	103944
Working Distance (mm)	7	12	17
Illumination (number of row)	1		
Illumination Active Area			
Active Length / Outer Diameter (mm)	34		
Active Width / Inner Diameter (mm)	22		
Emission angle (deg.)	45		
Eye Safety Class (IEC62471)	II		
Electrical Information			
Lighting Supply Voltage (constant voltage mode)	24V ± 2%		
Continuous Current (mA)	45		
Power Consumption (W)	1.08		
Lighting casing temperature, Operating after 60 minutes (°C)	51.8		
Strobe Mode Specification			
Pulse Operation	YES		
Max. Lighting Supply Voltage (Constant voltage power supply) (V)	Pulsing at 24VDC to 48VDC, 0-10% Duty Cycle, Recommended at 36VDC		
Pulse Current, (Max. 10msec) (Constant current power supply) (mA)	135		
Max. Trigger Pulse Duration (msec)	10		
Duty Cycle	0-10%		
Additional Information			
Additional Cooling Method	Attached to machine part for better heat dissipation		
Intensity Controller Selection	ANG, ST, SD and SDA Series		
CE Conformity	YES		
RoHS Compliance	YES		
Connection			
Connector Type (Default):	JST SMR-03V		
Cable Length out from lighting : (mm)	500		
Pin Configuration :	Pin	Signal	Cable Color
	1	LED +	RED
	2	N.C.	---
	3	LED -	WHITE
			
Application			
Illumination Type	Direct Illumination		
Appication Use	Substrate inspection, label inspection, flat surface, fiducially recognition.		