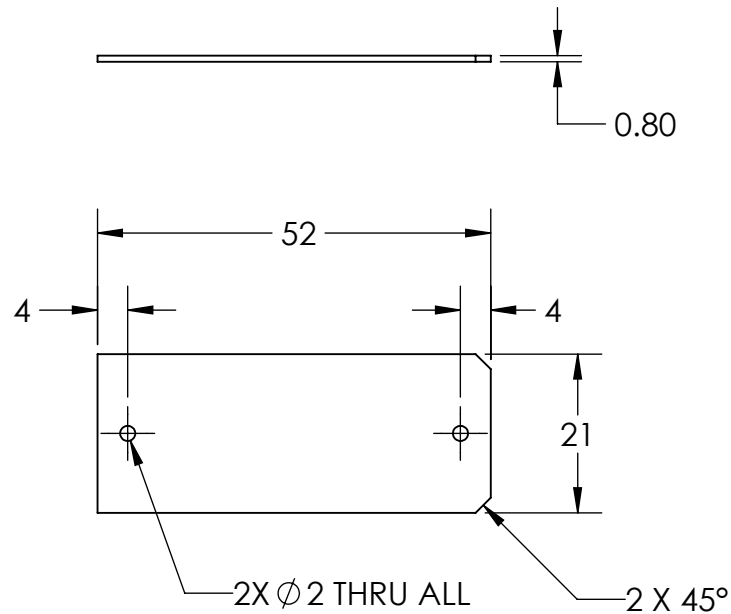
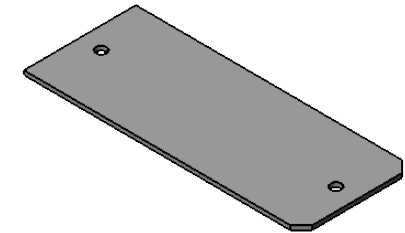


REVISIONS

ZONE	REV.	DESCRIPTIONS	DATE	APP.
------	------	--------------	------	------



COLOR	WAVE LENGHT
RED:	630nm
GREEN:	525nm
BLUE:	470nm
WHITE:	--
IR 850:	850nm
IR 940:	940nm
UV:	375nm
RGB:	620nm/525nm/470nm



DESIGN BY	AIMAN
CHECK BY	KB TAN
DATE	15/5/2017
MATERIAL	POLARIZER 0.8mm
FINISHING	-
QTY	1

UNIT:	MM
REVISION:	01
SCALE:	1 : 1

PRODUCT SERIES: LBRX SERIES			
TITLE	POLARIZER (H)	COLOUR:	- - -
PART NO	LBRX-00-040-3-X-24V	VOLTAGE:	- - -
DWG NO	LBRX-00-040-3-X-24V-09(REV01)	CURRENT:	- - -
		POWER:	- - -
		SHEET 1 OF 1	