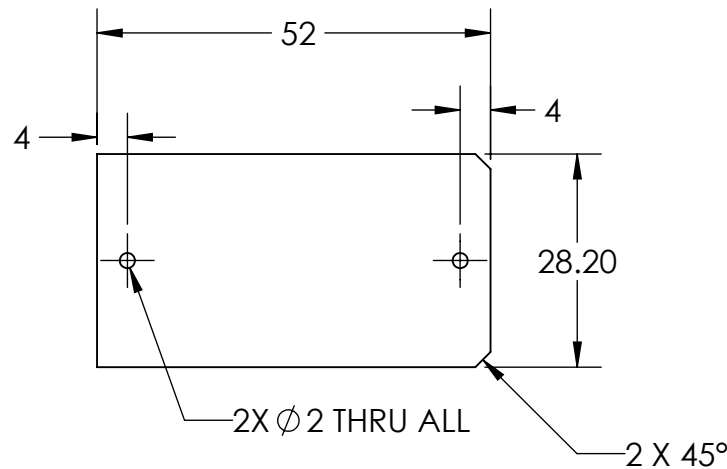
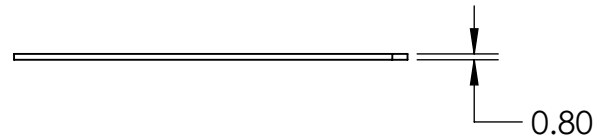
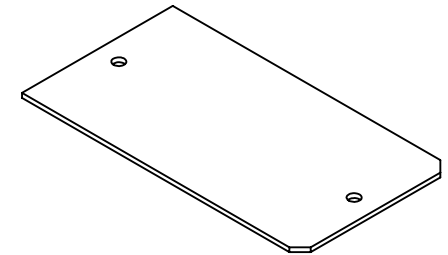


REVISIONS

ZONE	REV.	DESCRIPTIONS	DATE	APP.
------	------	--------------	------	------



COLOR	WAVE LENGHT
RED:	630nm
GREEN:	525nm
BLUE:	470nm
WHITE:	--
IR 850:	850nm
IR 940:	940nm
UV:	375nm
RGB:	620nm/525nm/470nm



DESIGN BY	AIMAN	UNIT: MM	PRODUCT SERIES: LBRX SERIES				
CHECK BY	KB TAN						
DATE	15/5/2017	REVISION: 01	TITLE	POLARIZER (H)			
MATERIAL	POLARIZER 0.8mm	SCALE: 1 : 1	PART NO	LBRX-00-040-6-X-24V	COLOUR:	-	-
FINISHING	-		DWG NO	LBRX-00-040-6-X-24V-09(REV01)	VOLTAGE:	-	-
QTY	1				CURRENT:	-	-
					POWER:	-	-
					SHEET 1 OF 1		