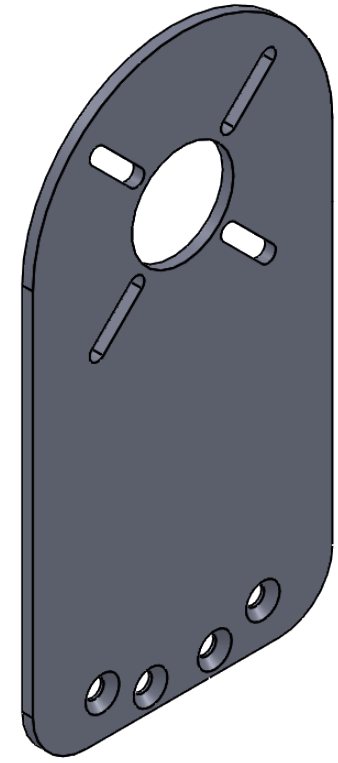
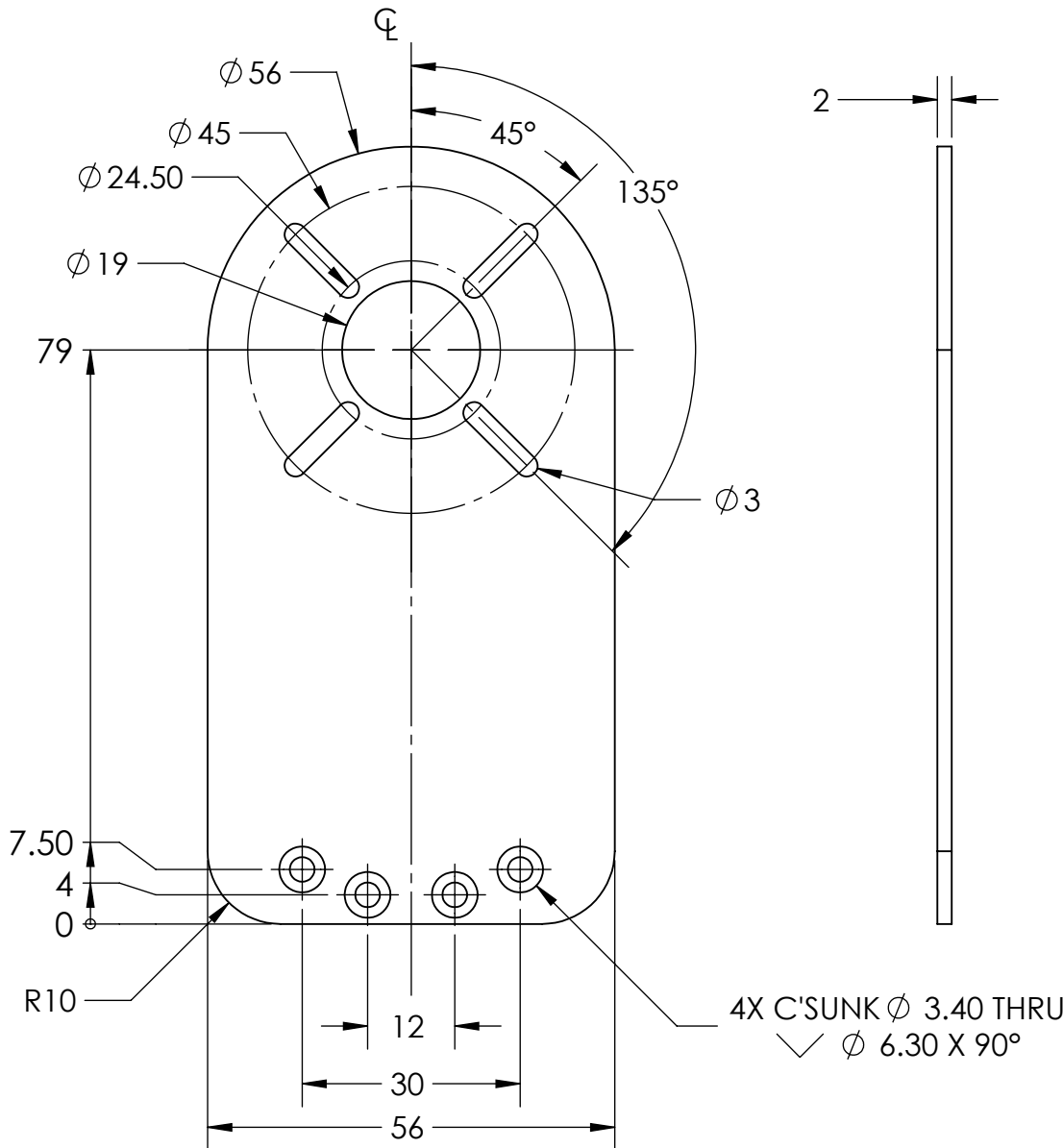


REVISIONS

ZONE	REV.	DESCRIPTIONS	DATE	APP.



COLOR	WAVE LENGHT
RED:	630nm
GREEN:	525nm
BLUE:	470nm
WHITE:	--
IR 850:	850nm
IR 940:	940nm
UV:	375nm
RGB:	620nm/525nm/470nm

4X C'SUNK Ø 3.40 THRU  
 ✓ Ø 6.30 X 90°



DESIGN BY	AIMAN	UNIT:	MM	PRODUCT SERIES: LP SERIES				
CHECK BY	KB TAN							
DATE	3/2/2017	REVISION:	01	TITLE	LPR-019-024045	COLOUR:	-	-
MATERIAL	ALU	SCALE:	1 : 1	PART NO		VOLTAGE:	-	-
FINISHING	BIANOD W SANDBLAST	DWG NO	LPR-019-024045-01(REV01)			CURRENT:	-	-
QTY	1					POWER:	-	-

SHEET 1 OF 1