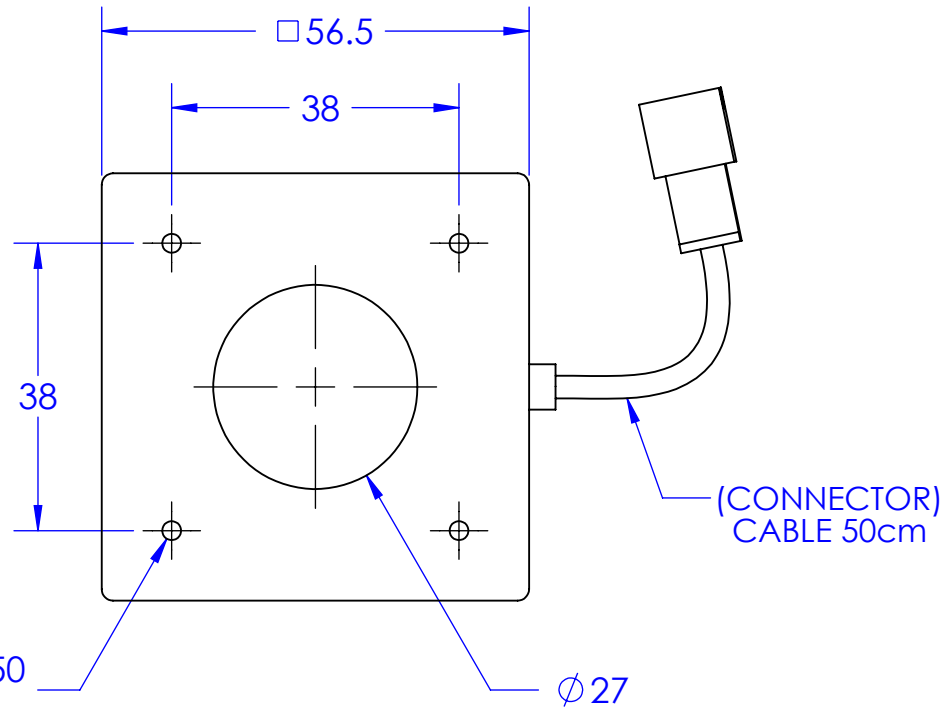
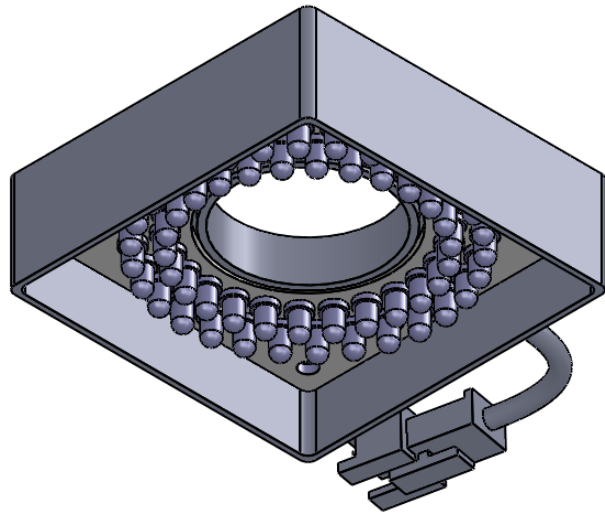
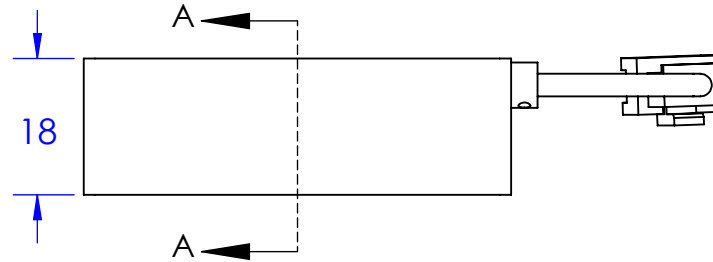
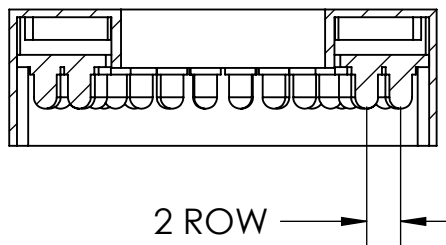


REVISIONS

ZONE	REV.	DESCRIPTIONS	DATE	APP.
------	------	--------------	------	------



4X TAP M3X0.5 - ∇ 3.50
NOT THRU



DESIGN BY	DS CHAN	UNIT:	PRODUCT SERIES: LSQ SERIES				
CHECK BY	DS CHAN	MM					
DATE	12/05/2014	REVISION:	TITLE	DRAWING LAYOUT	COLOUR:	-	-
MATERIAL	-	02	PART NO	LSQ-00-050-2-X-24V	VOLTAGE:	-	-
FINISHING	-	SCALE:	DWG NO	-	CURRENT:	-	-
QTY	-	1 : 1			POWER:	-	-
						SHEET 1 OF 1	

