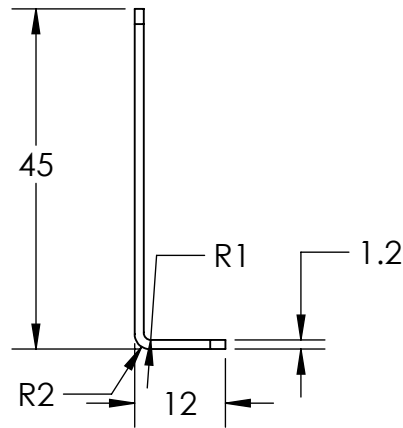
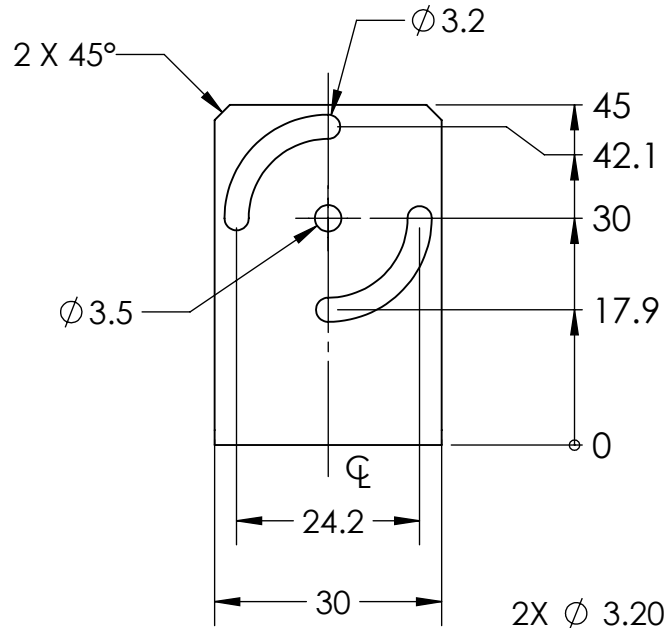
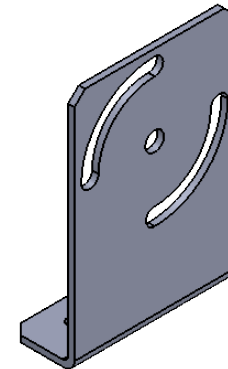
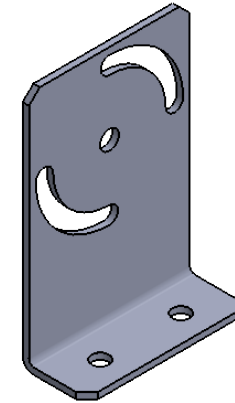
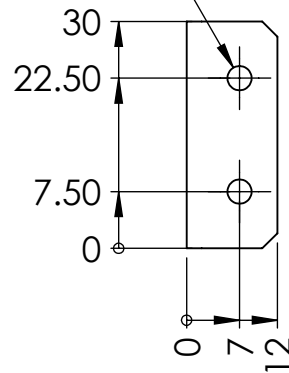


REVISIONS

ZONE	REV.	DESCRIPTIONS	DATE	APP.
------	------	--------------	------	------



2X Ø 3.20 THRU ALL



DESIGN BY	KB TAN	UNIT:	PRODUCT SERIES: MLBX SERIES		
CHECK BY	KB TAN	MM			
DATE	22/6/2017	REVISION:			
MATERIAL	STANDARD STEEL 1.2MM	01	TITLE	L-BRACKET	COLOUR: - -
FINISHING	SHINING	SCALE:	PART NO	MLBX2-00-120-2-BRACKET	VOLTAGE: - -
QTY	1 + 1 MIRROR	1 : 1	DWG NO	MLBX-BRACKET-01(REV01)	CURRENT: - -
					POWER: - -
					SHEET 1 OF 1