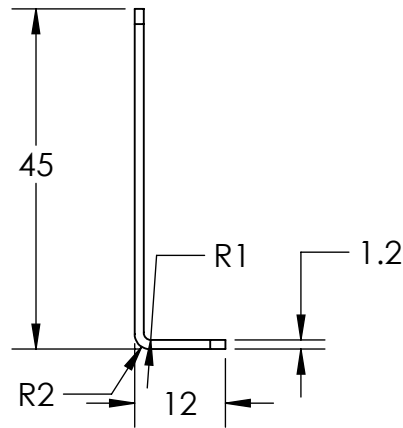
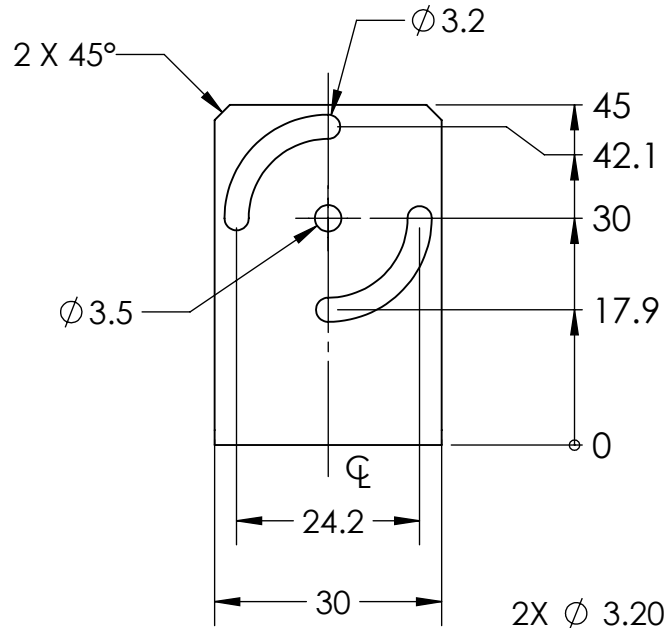
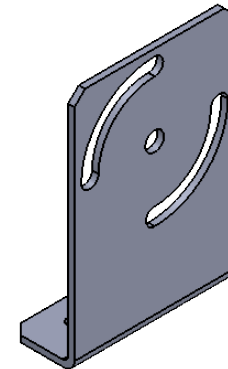
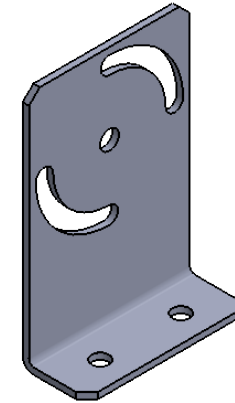
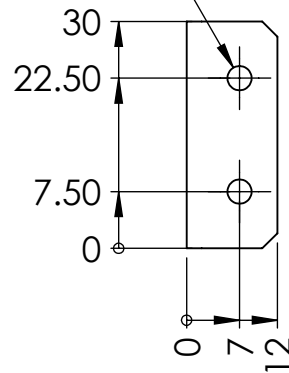


REVISIONS

ZONE	REV.	DESCRIPTIONS	DATE	APP.
------	------	--------------	------	------



2X Ø 3.20 THRU ALL



DESIGN BY	KB TAN	UNIT: MM	PRODUCT SERIES: MLBX SERIES		
CHECK BY	KB TAN				
DATE	22/6/2017	REVISION: 01	TITLE	L-BRACKET	COLOUR: - -
MATERIAL	STANDARD STEEL 1.2MM	SCALE: 1 : 1	PART NO	MLBX2-00-150-2-BRACKET	VOLTAGE: - -
FINISHING	SHINING		DWG NO	MLBX-BRACKET-01(REV01)	CURRENT: - -
QTY	1 + 1 MIRROR				POWER: - -
					SHEET 1 OF 1