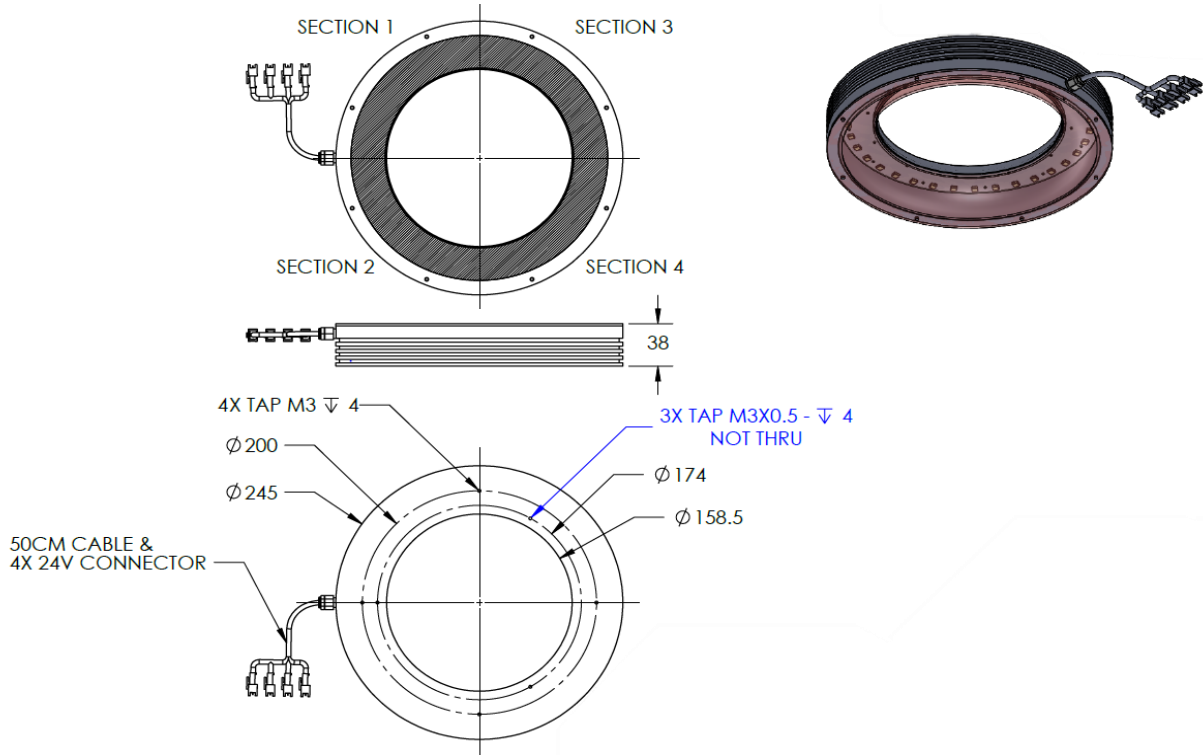




ILLUMINATOR DATA (ID)

HPD-00-240-1-W-24V-CH4

Lighting Dimension




Mechanical Information	
Casing Material	Aluminium
Storage Temperature Range	Temp 0-45°C, Humidity 20-85%
Weight	1135 g
Length / Outer Diameter	245 mm
Width / Inner Diameter	158.50 mm
Thickness / Height	38 mm



ILLUMINATOR DATA-ID

HPD-00-240-1-W-24V-CH4

Optical Information		HPD-00-240-1-W-24V-CH4																															
Part Number		HPD-00-240-1-W-24V-CH4																															
Channel		CH1			CH2			CH3			CH4																						
LED Color		WHITE																															
Wavelength	(nm)	*Refer to the Chromaticity Table below																															
Intensity (±15)	(Lux)	9556.6	9485.6	10067.8	8449	8733	10096.2	7810	8846.6	9343.6	8917.6	9443	10224																				
Working Distance	(mm)	54	64	74	54	64	74	54	64	74	54	64	74																				
Illumination (number of row)		1																															
Illumination Active Area																																	
Active Length / Outer Dia.	(mm)	245																															
Active Width / Inner Dia.	(mm)	158.5																															
Emission angle	(deg.)	0																															
Eye Safety Class (IEC62471)		EXEMPT																															
*CHROMATICITY TABLE		<table border="1"> <tr> <td>X</td> <td>0.296</td> <td>0.287</td> <td>0.307</td> <td>0.311</td> <td>X</td> <td>0.311</td> <td>0.307</td> <td>0.33</td> <td>0.33</td> </tr> <tr> <td>Y</td> <td>0.276</td> <td>0.295</td> <td>0.315</td> <td>0.294</td> <td>Y</td> <td>0.294</td> <td>0.315</td> <td>0.339</td> <td>0.318</td> </tr> </table>												X	0.296	0.287	0.307	0.311	X	0.311	0.307	0.33	0.33	Y	0.276	0.295	0.315	0.294	Y	0.294	0.315	0.339	0.318
X	0.296	0.287	0.307	0.311	X	0.311	0.307	0.33	0.33																								
Y	0.276	0.295	0.315	0.294	Y	0.294	0.315	0.339	0.318																								
Electrical Information																																	
Lighting Supply Voltage (constant voltage mode)		24V ± 2%																															
Continuous Current	(mA)	320			320			320			320																						
Power Consumption	(W)	7.68			7.68			7.68			7.68																						
Lighting casing temperature, Operating after 60 minutes	°C	54.4																															
Strobe Mode Specification																																	
Pulse Operation		YES																															
Max. Lighting Supply Voltage (Constant voltage power supply)	(V)	Pulsing at 24VDC to 48VDC, 0-10% Duty Cycle Recommended at 36VDC																															
Pulse Current, (Max. 10msec) (Constant current power supply)	(mA)	960			960			960			960																						
Max. Trigger Pulse Duration	(msec)	10																															
Duty Cycle		0-10%																															
Additional Information																																	
Additional Cooling Method		Attached to machine part for better heat dissipation																															
Intensity Controller Selection		ANG, SD, ST, SDA series																															
CE Conformity		YES																															
RoHS Compliance		YES																															
Connection																																	
Connector Type (Default):		JST SMR-03V																															
Cable Length out from lighting :	(mm)	500																															
Pin Configuration :		Pin			Signal			Cable Color																									
		1			LED +			RED																									
		2			N.C.			---																									
		3			LED -			WHITE																									
																																	
Application																																	
Illumination Type		Indirect Illumination																															
Application Use		Shining surface and food packaging																															