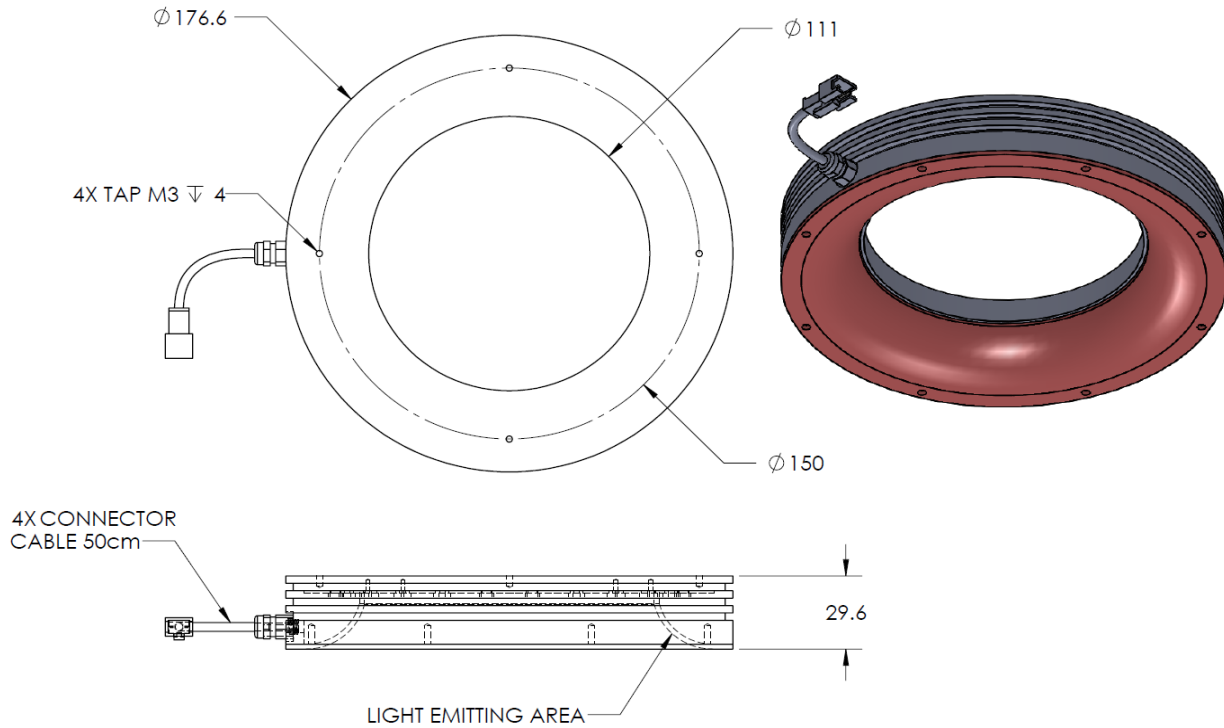




ILLUMINATOR DATA-ID

HPD-00-170-1-W-24V-4CH

Lighting Dimension




Mechanical Information	
Casing Material	Aluminium
Storage Temperature Range	Temp 0 - 45°C, Humidity 20-85%
Weight	544 g
Length / Outer Diameter	176.6 mm
Width / Inner Diameter	111 mm
Thickness / Height	29.6 mm



ILLUMINATOR DATA-ID

HPD-00-170-1-W-24V-4CH

Optical Information		HPD-00-170-1-W-24V-4CH																											
Part Number		HPD-00-170-1-W-24V-4CH																											
LED Color		CH1			CH2			CH3			CH4																		
Wavelength	(nm)	* Refer to the Chromaticity Table Below																											
Intensity (±15%)	(Lux)	6915.4	6489.4	6162.8	7483.4	7100	6631.4	6659.8	6333.2	6177	6659.8	6333.2	5964																
Working Distance	(mm)	40	50	60	40	50	60	40	50	60	40	50	60																
Illumination (number of row)		1																											
Illumination Active Area																													
Active Length / Outer Diameter	(mm)	162.2																											
Active Width / Inner Diameter	(mm)	114																											
Emission angle	(deg.)	0																											
Eye Safety Class (IEC62471)		EXEMPT																											
*CHROMATICITY TABLE		<table border="1"> <tr> <td>X</td> <td>0.296</td> <td>0.287</td> <td>0.307</td> <td>0.311</td> </tr> <tr> <td>Y</td> <td>0.276</td> <td>0.295</td> <td>0.315</td> <td>0.294</td> </tr> </table>				X	0.296	0.287	0.307	0.311	Y	0.276	0.295	0.315	0.294	<table border="1"> <tr> <td>X</td> <td>0.311</td> <td>0.307</td> <td>0.33</td> <td>0.33</td> </tr> <tr> <td>Y</td> <td>0.294</td> <td>0.315</td> <td>0.339</td> <td>0.318</td> </tr> </table>				X	0.311	0.307	0.33	0.33	Y	0.294	0.315	0.339	0.318
X	0.296	0.287	0.307	0.311																									
Y	0.276	0.295	0.315	0.294																									
X	0.311	0.307	0.33	0.33																									
Y	0.294	0.315	0.339	0.318																									
Electrical Information																													
Lighting Supply Voltage (constant voltage mode)		24V ± 2%																											
Continuous Current	(mA)	150			150			150			150																		
Power Consumption	(W)	3.6			3.6			3.6			3.6																		
Lighting casing temperature, Operating after 60 minutes	°C	44.6																											
Strobe Mode Specification																													
Pulse Operation		YES																											
Max. Lighting Supply Voltage (Constant voltage power supply)	(V)	Pulsing at 24VDC to 48VDC, 0-10% Duty Cycle, Recommended at 36VDC																											
Pulse Current, (Max. 10msec) (Constant current power supply)	(mA)	450			450			450			450																		
Max. Trigger Pulse Duration	(msec)	10																											
Duty Cycle		0-10%																											
Additional Information																													
Additional Cooling Method		Attached to machine part for better heat dissipation																											
Intensity Controller Selection		ANG, ST, SD, LC and SDA Series																											
CE Conformity		YES																											
RoHS Compliance		YES																											
Connection																													
Connector Type (Default):		JST SMR-03V																											
Cable Length out from lighting :	(mm)	500																											
Pin Configuration :		Pin			Signal			Cable Color																					
		1			LED +			RED																					
		2			N.C.			---																					
		3			LED -			WHITE																					
																													
Application																													
Illumination Type		Indirect Illumination																											
Application Use		Shining surface and food packaging																											