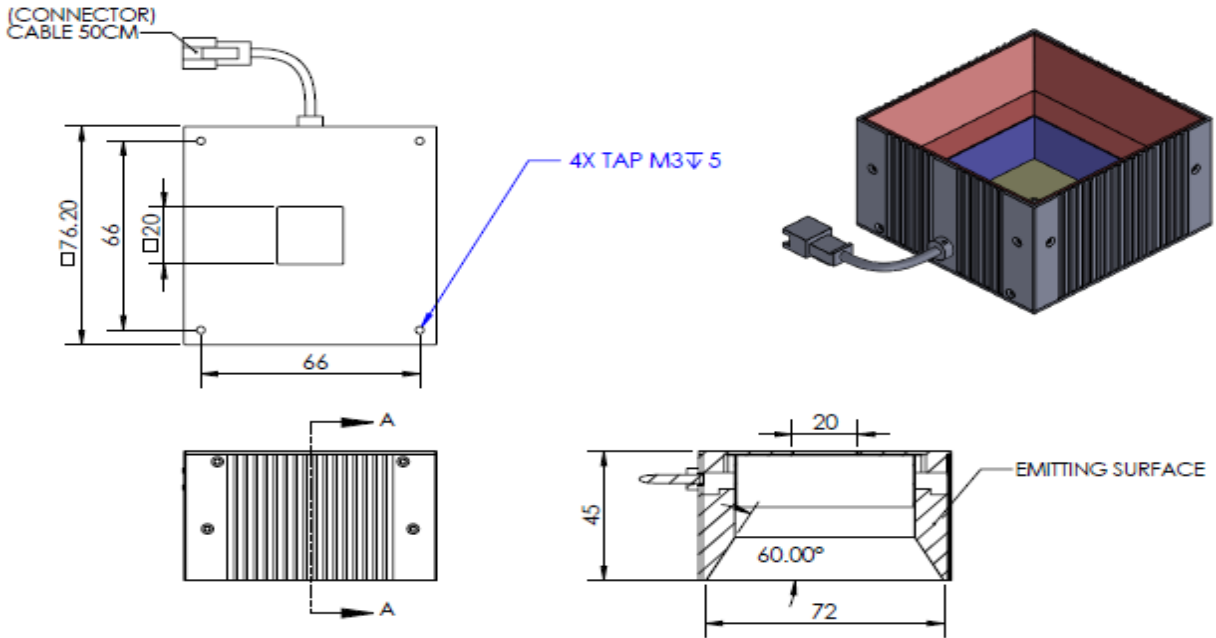




# ILLUMINATOR DATA - ID

## DLS2-60-070-1-W-24V

### Lighting Dimension




Mechanical Information	
Casing Material	Aluminium
Storage Temperature Range	Temp 0-45°C, Humidity 20-85%
Weight	220 g
Length / Outer Diameter	76.2 X 76.2 mm
Width / Inner Diameter	20 X 20 mm
Thickness	45 mm



# ILLUMINATOR DATA - ID

## DLS2-60-070-1-W-24V

Optical Information																														
Part Number		DLS2-60-070-1-W-24V																												
LED Color		WHITE																												
Wavelength	(nm)	<i>*Refer to the Chromaticity Table below</i>																												
Intensity ( $\pm 15\%$ )	(Lux)	11250	11330	10900																										
Working Distance	(mm)	7	12	17																										
Illumination (number of row)		1																												
Illumination Active Area																														
Active Length / Outer Dia.	(mm)	76.2 X 76.2																												
Active Width / Inner Dia.		20 X 20																												
Emission angle	(deg.)	60																												
Eye Safety Class ( IEC62471 )		EXEMPT																												
<b>*CHROMATICITY TABLE</b>		<table border="1"> <thead> <tr> <th>X</th> <th>0.296</th> <th>0.287</th> <th>0.307</th> <th>0.311</th> <th></th> </tr> </thead> <tbody> <tr> <td>Y</td> <td>0.276</td> <td>0.295</td> <td>0.315</td> <td>0.294</td> <td></td> </tr> </tbody> </table> <table border="1"> <thead> <tr> <th>X</th> <th>0.311</th> <th>0.307</th> <th>0.33</th> <th>0.33</th> <th></th> </tr> </thead> <tbody> <tr> <td>Y</td> <td>0.294</td> <td>0.315</td> <td>0.339</td> <td>0.318</td> <td></td> </tr> </tbody> </table>					X	0.296	0.287	0.307	0.311		Y	0.276	0.295	0.315	0.294		X	0.311	0.307	0.33	0.33		Y	0.294	0.315	0.339	0.318	
X	0.296	0.287	0.307	0.311																										
Y	0.276	0.295	0.315	0.294																										
X	0.311	0.307	0.33	0.33																										
Y	0.294	0.315	0.339	0.318																										
Electrical Information																														
Lighting Supply Voltage (constant voltage mode)		24V $\pm$ 2%																												
Continuous Current	(mA)	180																												
Power Consumption	(W)	4.32																												
Lighting casing temperature, after 60 minutes	Operating °C	49.1																												
Strobe Mode Specification																														
Pulse Operation		YES																												
Max. Lighting Supply Voltage (Constant voltage power supply)	(V)	Pulsing at 24VDC to 48VDC, 0-10% Duty Cycle Recommended at 36VDC																												
Pulse Current, (Max. 10msec) (Constant current power supply)	(mA)	540																												
Max. Trigger Pulse Duration	(msec)	10																												
Duty Cycle		0-10%																												
Additional Information																														
Additional Cooling Method		Attached to machine part for better heat dissipation																												
Intensity Controller Selection		ANG, ST, SD and SDA series																												
CE Conformity		YES																												
RoHS Compliance		YES																												
Connection																														
Connector Type (Default):		JST SMR-03V																												
Cable Length out from lighting :	(mm)	500																												
Pin Configuration :		Pin	Signal	Cable Color																										
		1	LED +	RED																										
		2	N.C.	---																										
		3	LED -	WHITE																										
																														
Application																														
Illumination Type		Diffuser Illumination																												
Application Use		Character recognition on shining surface, lead inspection																												