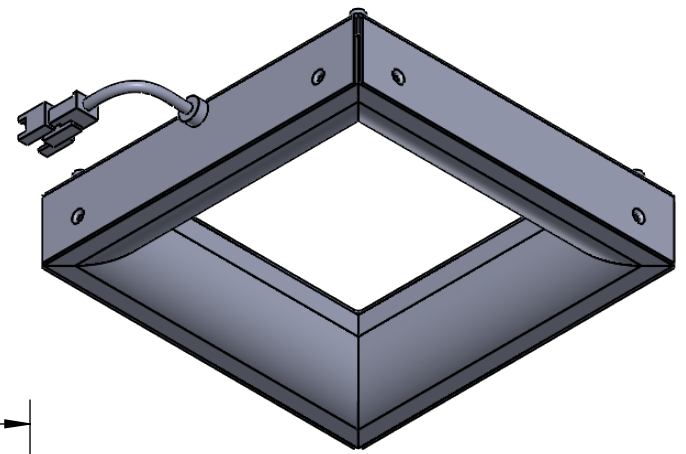
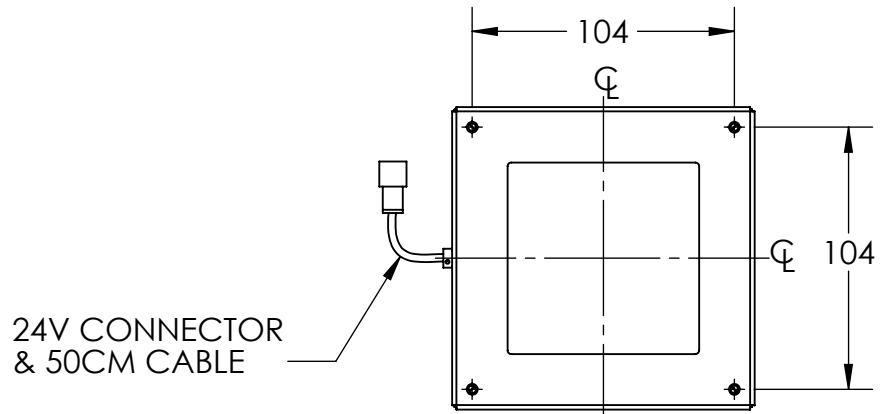
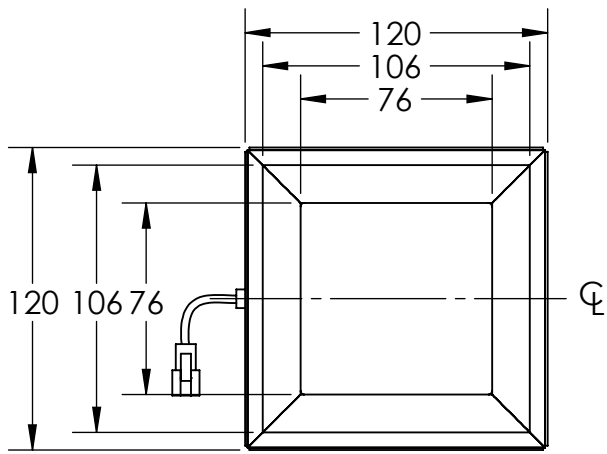
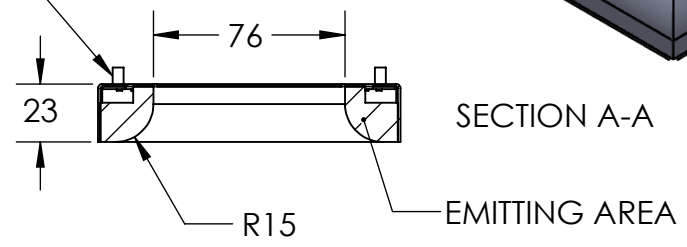
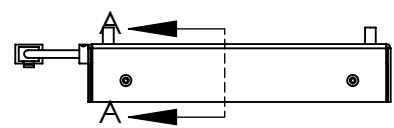


REVISIONS			
REV.	DESCRIPTIONS	EDIT BY	DATE:(d/m/y)
01	NEW STANDARD	AZMI	9/1/2018
-	-	-	DD/MM/YYYY



4X SELF-CLINCHING NUT M3



DESIGN BY	AZMI	UNIT:	PRODUCT SERIES: DLC SERIES	
CHECK BY	AZMI			
DATE	18/2/2019	REVISION:	TITLE	DRAWING LAYOUT
MATERIAL	-	01	PART NO	DLC-00-120-1-X-24V
FINISHING	-	SCALE:	DWG NO	-
QTY	1	1:1		SHEET 1 OF 1