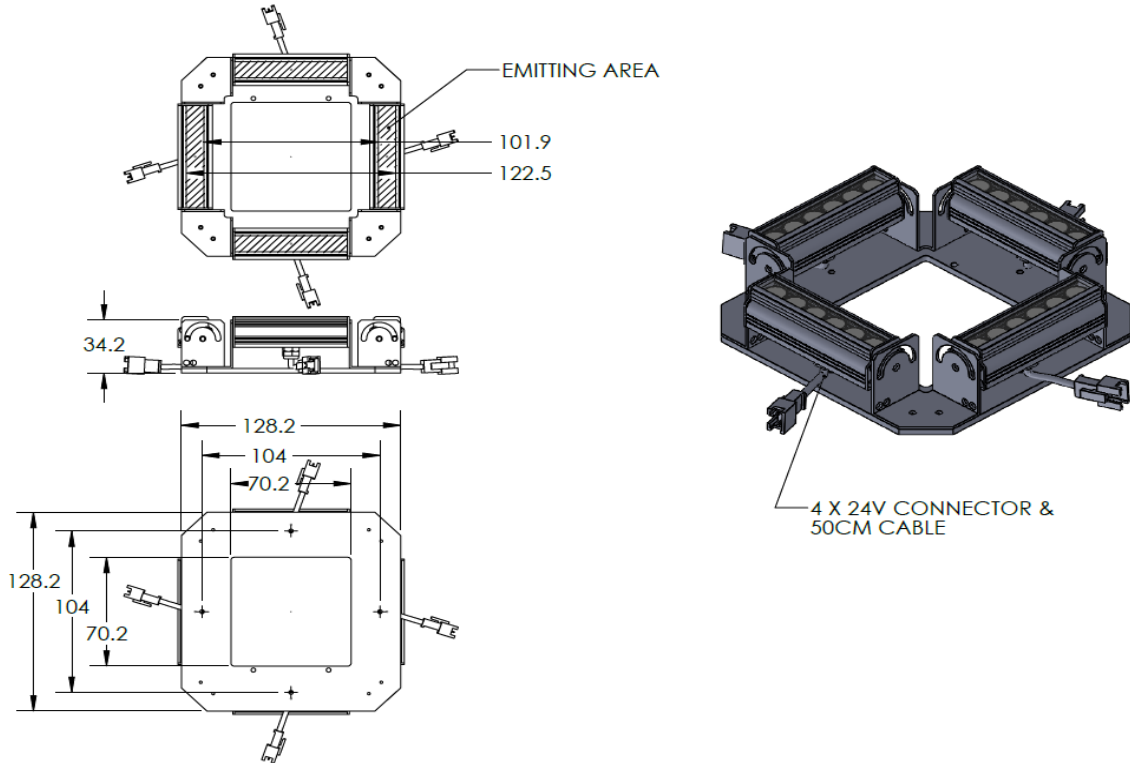




ILLUMINATOR DATA (ID)

HLBQ2-00-065-1-R-24V

Lighting Dimension




Mechanical Information	
Casing Material	Aluminium
Storage Temperature Range	Temp 0-45°C, Humidity 20-85%
Weight	386 g
Length / Outer Diameter	128.2 mm
Width / Inner Diameter	128.2 mm
Thickness / Height	34.2 mm



ILLUMINATOR DATA (ID)

HLBQ2-00-065-1-R-24V

Optical Information				
Part Number	HLBQ2-00-065-1-R-24V			
LED Color	RED			
Wavelength	(nm)	630		
Intensity (±15)	(Lux)	TBA	TBA	TBA
Working Distance	(mm)	200	220	250
Illumination (number of row)	1			
Illumination Active Area				
Active Length / Outer Dia.	(mm)	122.5		
Active Width / Inner Dia.	(mm)	122.5		
Emission angle	(deg.)	0		
Eye Safety Class (IEC62471)	EXEMPT			
Electrical Information				
Lighting Supply Voltage (constant voltage mode)	24V ± 2%			
Continuous Current	(mA)	720		
Power Consumption	(W)	17.28		
Lighting casing temperature, Operating after 60 minutes	°C	TBA		
Strobe Mode Specification				
Pulse Operation	YES			
Max. Lighting Supply Voltage (Constant voltage power supply)	(V)	Pulsing at 24VDC to 48VDC, 0-10% Duty Cycle Recommended at 36VDC		
Pulse Current, (Max. 10msec) (Constant current power supply)	(mA)	2160		
Max. Trigger Pulse Duration	(msec)	10		
Duty Cycle	0-10%			
Additional Information				
Additional Cooling Method	Attached to machine part for better heat dissipation			
Intensity Controller Selection	ANGX, SD, ST & SDA Series			
CE Conformity	YES			
RoHS Compliance	YES			
Connection				
Connector Type (Default):	JST SMR-03V			
Cable Length out from lighting :	(mm)	500		
Pin Configuration :		Pin	Signal	Cable Color
		1	LED +	RED
		2	N.C.	---
		3	LED -	WHITE
				
Application				
Illumination Type	Direct Illumination			
Application Use	Label Inspection, Character Inspection, Code Recognition			