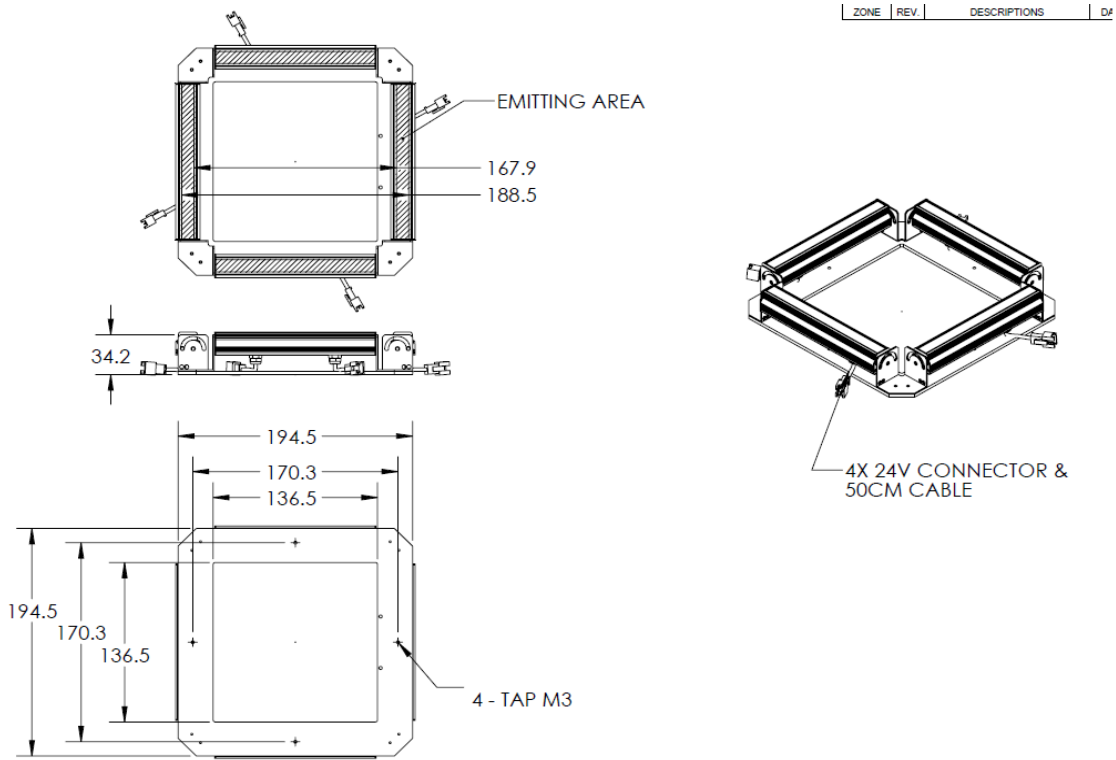




ILLUMINATOR DATA (ID)

HLBQ2-00-130-1-G-24V

Lighting Dimension




Mechanical Information	
Casing Material	Aluminium
Storage Temperature Range	Temp 0-45°C, Humidity 20-85%
Weight	587 g
Length / Outer Diameter	194.5 mm
Width / Inner Diameter	194.5 mm
Thickness / Height	34.2 mm



ILLUMINATOR DATA (ID)

HLBQ2-00-130-1-G-24V

Optical Information		HLBQ2-00-130-1-G-24V																							
Part Number		HLBQ2-00-130-1-G-24V																							
LED Color		GREEN																							
Wavelength	(nm)	525																							
Intensity (±15)	(Lux)	TBA	TBA	TBA	TBA																				
Working Distance	(mm)	200	220	250																					
Illumination (number of row)		1																							
Illumination Active Area																									
Active Length / Outer Dia.	(mm)	188.5																							
Active Width / Inner Dia.	(mm)	188.5																							
Emission angle	(deg.)	0																							
Eye Safety Class (IEC62471)		EXEMPT																							
*CHROMATICITY TABLE		<table border="1"> <thead> <tr> <th>X</th> <th>0.296</th> <th>0.287</th> <th>0.307</th> <th>0.311</th> <th>X</th> <th>0.311</th> <th>0.307</th> <th>0.33</th> <th>0.33</th> </tr> </thead> <tbody> <tr> <td>Y</td> <td>0.276</td> <td>0.295</td> <td>0.315</td> <td>0.294</td> <td>Y</td> <td>0.294</td> <td>0.315</td> <td>0.339</td> <td>0.318</td> </tr> </tbody> </table>				X	0.296	0.287	0.307	0.311	X	0.311	0.307	0.33	0.33	Y	0.276	0.295	0.315	0.294	Y	0.294	0.315	0.339	0.318
X	0.296	0.287	0.307	0.311	X	0.311	0.307	0.33	0.33																
Y	0.276	0.295	0.315	0.294	Y	0.294	0.315	0.339	0.318																
Electrical Information																									
Lighting Supply Voltage (constant voltage mode)		24V ± 2%																							
Continuous Current	(mA)	1200																							
Power Consumption	(W)	28.8																							
Lighting casing temperature, Operating after 60 minutes	°C	TBA																							
Strobe Mode Specification																									
Pulse Operation		YES																							
Max. Lighting Supply Voltage (Constant voltage power supply)	(V)	Pulsing at 24VDC to 48VDC, 0-10% Duty Cycle Recommended at 36VDC																							
Pulse Current, (Max. 10msec) (Constant current power supply)	(mA)	3600																							
Max. Trigger Pulse Duration	(msec)	10																							
Duty Cycle		0-10%																							
Additional Information																									
Additional Cooling Method		Attached to machine part for better heat dissipation																							
Intensity Controller Selection		ANGX, SD, ST & SDA Series																							
CE Conformity		YES																							
RoHS Compliance		YES																							
Connection																									
Connector Type (Default):		JST SMR-03V																							
Cable Length out from lighting :	(mm)	500																							
Pin Configuration :		Pin	Signal	Cable Color																					
		1	LED +	RED																					
		2	N.C.	---																					
		3	LED -	WHITE																					
																									
Application																									
Illumination Type		Direct Illumination																							
Application Use		Label Inspection, Character Inspection, Code Recognition																							